

Adjustable Damper Link Repair for the Resolute Stove

The adjustable link replacement kit includes a two piece adjustable cast iron link that will replace the link now in your damper assembly.

Tools needed:

7/16" Box-end Wrench

5/32" Allen Wrench

Screwdriver

Hacksaw or bolt cutter (needed only if replacing a steel rod link)

Materials provided:

2-piece adjustable damper link

1/4-20 x 1/2" hex head cap screw and star washer

12-24 x 2" slotted round head screw, toplock nut and washer

Instructions

Procedure

Remove the cast iron thermostat cover from the back of the Resolute. This cover holds the damper handle securely in place.

With the 5/32" Allen wrench, remove the flue collar and flue collar extension.

The damper should be closed (in the up position).

Remove the 12-24 hex nut from the screw that holds the damper link to the back of the damper. You may have to hold the screw from turning by putting the edge of a screwdriver in the slot in the top of the screw while you remove nut.

If you are replacing a steel rod link, cut it with the hacksaw or bolt cutter. Remove the cut link from the damper tabs and the handle linkage hook. If you are replacing a cast iron link, lift the link off the handle linkage hook.

Assemble the two pieces of the adjustable cast iron damper link as shown below. The screw should be loose enough so that you can adjust the length of the link later in the procedure.

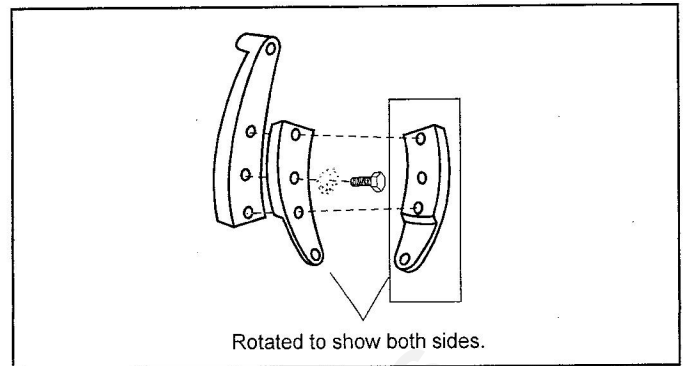


Figure 1 - Two piece, adjustable cast iron damper link.

Slide the bottom of the adjustable cast iron damper link onto the hook of the handle linkage hook. (Figure 2)

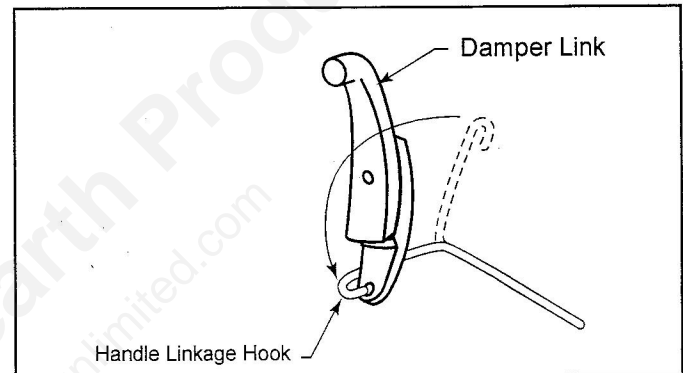


Figure 2 - Slide damper link onto handle linkage hook.

Align the upper hole of the adjustable cast iron damper link with the holes in the damper tabs. Slip the washer onto the 12-24 x 2" screw. Then slide the screw through the damper tabs as shown in Figure 3. Secure the screw with the nut provided.

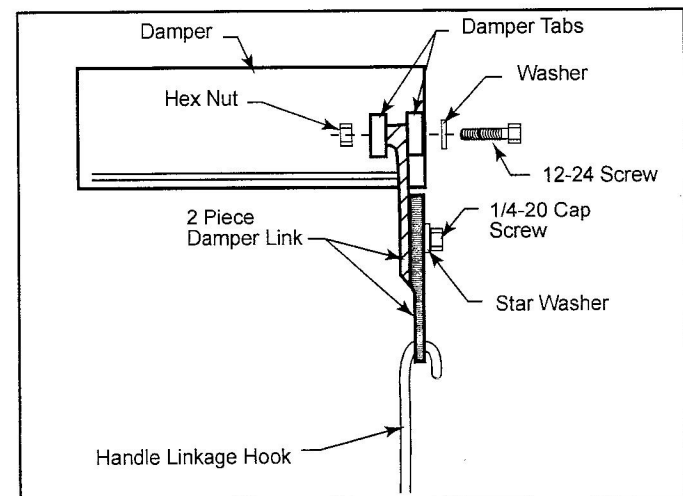


Figure 3 - Align upper hole of damper link with holes in damper tabs. Attach with 12-24 screw, washer and hex nut.

Secure the screw with the nut provided.

While holding the damper handle in place between the guides in the back of the stove, replace the thermostat cover.

Adjust the length of the link as follows: Holding the damper fully closed, lengthen the adjustable link as far as possible using moderate hand pressure, and tighten the nut on the linkage with the box-end wrench. Be sure the outside edges of the two pieces of the link line up exactly as you tighten the screw. It is normal for the damper to fall open slightly when pressure on the damper handle is released.

Open and close the damper a few times to test the adjustment. As you move the damper handle from the open position (pointing up) to the closed position (pointing down), you should feel resistance when the handle is at about the 4:00 position. (Figure 4)

Snap the handle firmly past the point of resistance to the fully closed position. If the damper does not stay closed, lengthen the adjustment of the length. If it is very difficult to snap the handle down into the fully closed position, shorten the adjustment slightly.

Replace the flue collar and flue collar extension. Alternately tighten each screw in order to maintain an even seating of the flue collar pieces.

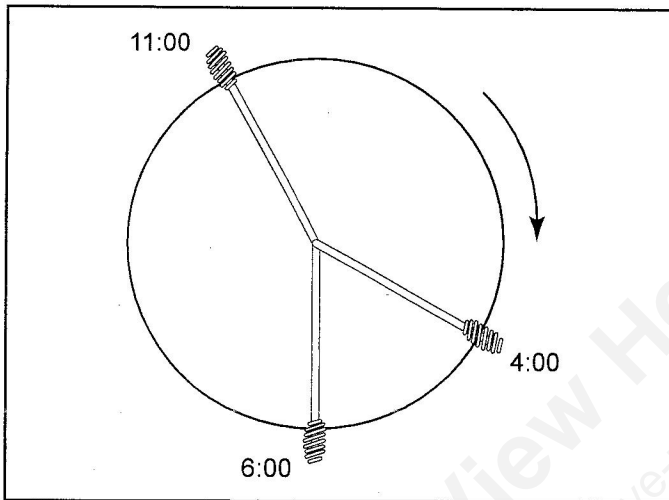


Figure 4 - Open and close the damper a few times to test the adjustment.

VERMONT
CASTINGS

352 Mountain House Road • Halifax, PA 17032
www.vermontcastings.com