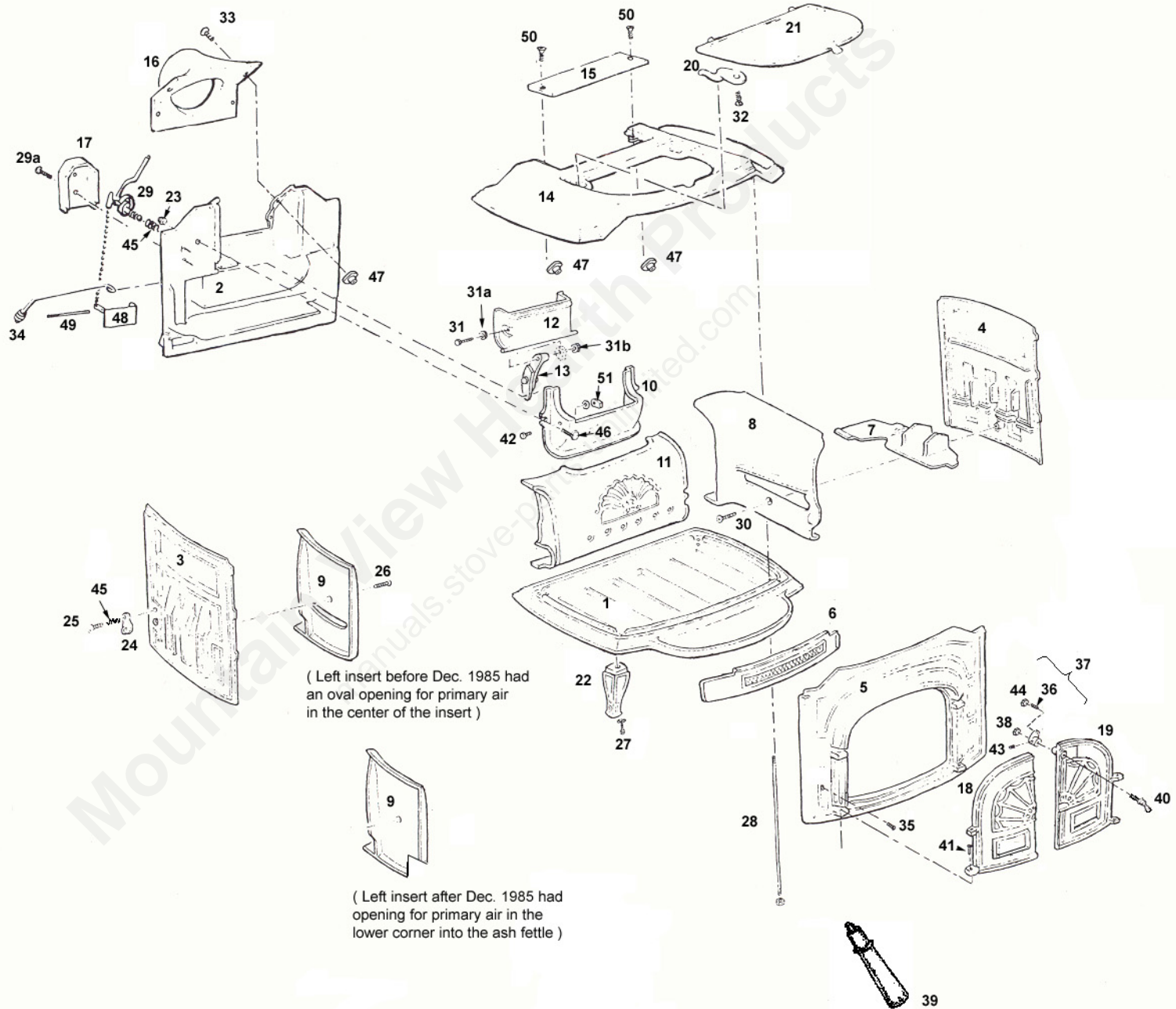


RESOLUTE III MODELS 0043 & 0042



RESOLUTE III

MODEL #'S: 0043 RESOLUTE III WITHOUT GLASS
 0042 RESOLUTE III WITH GLASS PANELS
 0058 RESOLUTE COAL STOVE

FEATURES: **MANUFACTURED 6/29/83 THROUGH 6/14/88, HAD TWO FRONT DOORS, TWO PIECE FIREBACK & ADJUSTABLE DAMPER LINKAGE, COAL STOVE HAD 3 ROCKER GRATES, IN 1985 DOUBLE GLASS FRAMES WERE ADDED FOR CLEAN GLASS, EARLY MODELS USED SS FRAMES AND LATER MODELS ADDED A CLIP BOSS & USED 3 CLIPS PER DOUBLE GLASS**

* denotes dead product - none available

ITEM #	PART #	DESCRIPTION	ITEM #	PART #	DESCRIPTION
1	130-1522*	Bottom	28	160-1640	Tie Rod Only
2	130-1683*	Back		500-7499	Tie Rod Set of 4 With Nuts
3	130-1546*	Left End		120-3210	1/4 -20 Hex Head Nuts
4	130-1554*	Right End	29	500-5499	Thermostat (Stat, Spring, Chain, Clips, Fittings)
5	130-1492*	Front		120-1960	Ball Chain (Per Foot) 1.5' used on Resolute
6	130-1538*	Solid Ash Fettle	29a	120-1010	10-24 x 1 1/2" Phillips Trs Hd Cover Screw
	500-2808*	Clean Glass Ash Fettle	30	120-0848	1/4 -20 x 2" Phillips Flat Head
{130-1779 back only available, 2 - 120-1393 [1/4 -20 x 1 3/4" SS hex head], 2 - 1/4" washers, 2 - 5/8" long spacers}			31	120-1193	12-24 x 1/2" Hex Head Cap Screw
7	130-1589*	Baffle	31a	120-2423	Flat Washer #10
8	130-1384	Right Insert	31b	120-3297	12-24 Hex Jam Nut
9	130-1376	Left Insert Pre Dec. '85 (oval slot)	32	120-1338	1/4 -20 x 1/2" Hex Head CS
	130-1784	Left Insert clean glass style	33	120-0865	1/4 -20 x 5/8" Phillips Flat Head
10	130-1349	Upper Fireback Only	34	160-0820	Damper Handle
	000-5863*	Upper Fireback/Damper Assembly	35	120-0055	1/2-20 x 3/8" SI Cup Point Shaker Hole Screw
11	130-1356	Lower Fireback	36	120-0436	1/4 -20 x 1" Socket Striker Bolt Black
12	130-1600	Damper	37	500-4024	Pawl Assy Complete (Items 36, 43 & 44)
13	000-5866	Adjustable Damper Linkage	38	120-3290	3/8-16 Large Pawl Jam Nut For Shaft
14	130-1663*	Top	39	000-4342	Fallaway Handle Assembly
15	130-1670*	Flue Collar Extension		120-1294	Fallaway Handle Screw Only
16	130-1668	Flue Collar		160-0620	Ceramic Only
17	130-1449*	Thermostat Cover		160-0650	Chrome Nub Only
18	130-1606*	Left Door	40	500-4237	Chrome Front Handle Stub With Shaft
19	130-1615*	Right Door	41	160-0546	Door Pin
20	130-0809	Griddle Quad	42	120-1443	5/16-18 x 1/2" Hex Head For Damper Nut Plate
21	130-1674*	Griddle Only	43	120-0417	Pawl, Set Screw Only
22	130-1503*	Leg (1 Only)	44	120-3210	1/4 -20 Hex Head Striker Bolt Nut
	500-2033*	Legs (Set of 4)	45	120-1846	Tension Spring
23	120-3118	Fireback Nut 1/4 -20 Acorn Nut	46	120-1326	1/4 -20 x 1" Hex Head Cap Screw UFB Mount
24	130-0671	Secondary Air Control Cover	47	120-3105	1/4 -20 Flue Collar Plate
25	120-1007	10-24 x 3/4" Phillips Trs Head	48	500-5423	Thermostat Flap With Eyelet
26	120-0811	1/4-20 x 1 1/4" Phillips Flat Head	49	160-1567*	Flap Pin Only -Substitute Heavy Stove Wire
27	120-1432	Leg Bolt 3/8-16 x 1" Hex Head CS	50	120-0865	1/4 -20 x 5/8" Phillips Flat Head
	000-5807	Leg Bolt Set (See Below)	51	120-1860	5/16-18 Damper Nut Plate

ITEMS NOT SHOWN

000-5807 Hardware Bag

160-0600 Door Handle Holder (1)
 120-2488 3/8" Washer For Leg Bolts (3)
 120-1432 3/8-16 x 1" Hex Head For Legs (4)
 120-2061 #10 x 3/4" Phillips Pan Head SMS
 120-5116 1/8 Allen Wrench
 120-5147 5/32 Allen Wrench
 120-2420 Felt Door Pin Washer (Enamel Stoves)
 130-1623* Left & Right Door Cast Insert

130-3051 Drop-In Andiron One Only (000-0052 Set of 2)
 130-3057 Left Bolt-On Andiron For Solid Ash Fettle
 130-3054 Right Bolt-On Andiron For Solid Ash Fettle
 000-0051 Set of Both Bolt-On Andirons With Bolts
 140-1152 Glass (1 Only)
 120-0983 Glass Clip Screw
 160-1395 Glass Clip
 160-1401 Left Double Glass Holder
 160-1402 Right Double Glass Holder

MISCELLANEOUS RESOLUTE ACCESSORIES

* Denotes Dead Part

RESOLUTE III GASKETS

120-3588	5/16" Medium Density 6ND Fiberglass Gasket	2'	Left Door
		3'	Right Door
120-3668	5/16" Gasket Wire Fiberglass w/ Core	3.3'	Griddle
120-3556*	3/16" 4ND Black Fiberglass Gasket	2'	Left Glass
		2'	Right Glass
120-3560	1/4" Fiberglass Gasket	3'	Flue Collar
500-2801	Glass Gasket With Wire Between Double Glass	1	Each Double Glass

*000-3427 kit contains enough gasket and cement to gasket all glass with rope gasket

REPAIR KITS

000-5864	<u>FIREBACK KIT</u>
	Includes upper and lower firebacks, damper, bolts for the firebacks, bolts for the left and right inserts and instructions

ENAMEL PARTS

No enamel replacement parts are available for the Resolute.

OBSOLETE GLASS KITS

RESOLUTE CLEAN GLASS KIT DOUBLE GLASS*

500-2808*	Ash Fettle Assembled
130-1779	Ash Fettle Back
130-1773	Ash Fettle Front
120-1393	1 3/4 SS Hex Head Bolts
	7/16 x 5/16" Spacer & 1/4 Washers
140-1152	Glass (4)
160-1401	Left Glass Retainer (Needed for older Resolutes with only two glass clips per door)
160-1402	Right Glass Retainer (Needed for older Resolutes with only two glass clips per door)
130-1784	Left Insert (Needed for models made prior to 1/86 with old left insert)
130-3051	Andiron (1) Drop In {000-0052 - set of two andirons}
160-1395	Long Glass Clips (4)
120-0983	10-24 x 5/8" Phillips Pan Head Glass Clip Screws (4)
120-3556	3/16" Glass Gasket (4') or 000-3427 Gasket Kit
500-2801	Wire Core Glass Gasket for Between Glass Panels (2)

RESOLUTE GLASS KIT SINGLE GLASS*

140-1152	Glass (1)
160-1396	Clips (2 or 3)
120-0980	10-24 x 1/4" Phillips Pan Head Clip Screws (2 or 3)
120-3556	3/16" Glass Gasket (2') or 000-3427 Gasket Kit

RESOLUTE SCREEN

000-0140