



Warming Shelf Installation Instructions for the Resolute Acclaim

Warming Shelves add character and versatility to your stove. They keep foods warm at mealtime, and provide a convenient place to store a kettle or a pan when you are top-loading fuel.

The warming shelf is designed to hold up to 30 pounds. However, always place objects on a shelf carefully to avoid sudden impact. Containers left on the warming shelves or on the stove for long periods of time should have water in them to prevent damage from overheating.

Give special care to stoves and shelves that are enamelled to avoid chipping the finish.

Each warming shelf includes a pair of nickel-plated mittenracks that are ideal for drying damp mittens, socks, dish towels, etc. Do not leave combustible items unattended on the shelves or mittenracks for extended periods of time, however, or they may overheat.

Material Provided:

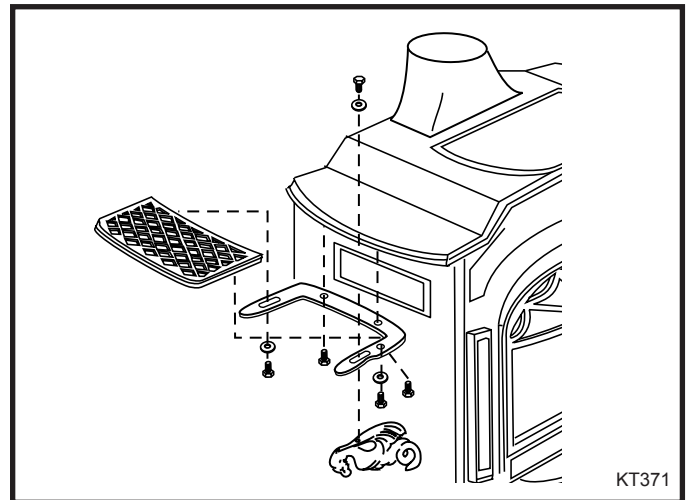
Warming Shelf
Mittenracks (2)
Large bracket
Dragon bracket
1/4-20 x 5/8" hex head cap screws (2)
1/4-20 x 1/2" hex head cap screws (3)
1/4" washers (3)

Tool Needed:

7/16" Open end wrench

Installation Instructions

1. Mount the bracket. Locate the two (2) drilled bosses on the underside of the stove top, one on each side, and position the bracket flat side up. Secure the bracket with two (2) 1/4-20 x 5/8" hex head cap screws and washers. The bracket on the right side must be "rolled" under the bottom of the stove top in order to clear the damper handle.
2. Mount the dragon on the front leg of the mounting bracket. Secure it to the bracket with a 1/4-20 x 1/2" hex head cap screw and washer, installed finger-tight. Orient the dragon parallel to the stove side to help make the next step easier.
3. Position the warming shelf on top of the bracket, and secure it with two (2) 1/4-20 x 1/2" hex head cap screws, installed finger-tight. Push the bracket against the stove top and tighten the screws snugly, but not overtight. Turn the dragon to its final position underneath the front arm of the large bracket and tighten the screw. Be careful to avoid chipping the porcelain finish on enamel stoves.
4. Install the mitten racks by sliding the crooked end through the holes in the outer edge of the shelf. The racks will hang in place until you are ready to use them. Move them into position by sliding them upward until the crooked end hits the underside of the shelf, then let them down to a horizontal position.



Vermont Castings Group

149 Cleveland Drive • Paris, Kentucky 40361
www.vermontcastingsgroup.com