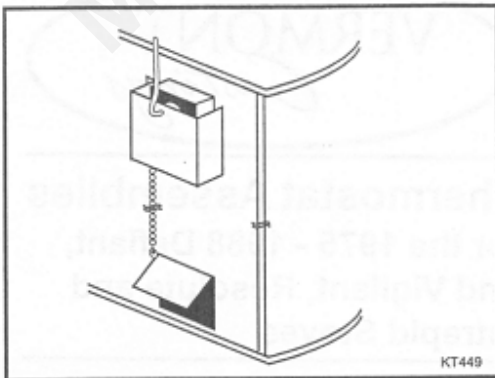


## **Resolute Parlor Stove Primary Air Chain Adjustment**

Make the chain adjustment when the stove is cold. You have a choice of two methods. In the end, the thermostat flap should be just fully closed when the lever is all the way over to the left looking from the front of the stove.



You can do the adjustment with the thermostat control lever closed as per the photo below. Connect the ball chain to the air flap so the flap is just fully closed 100%.



You could do the adjustment with the thermostat control lever pointing up as per the photo to the left. Connect the ball chain to the air flap so the flap is half open.