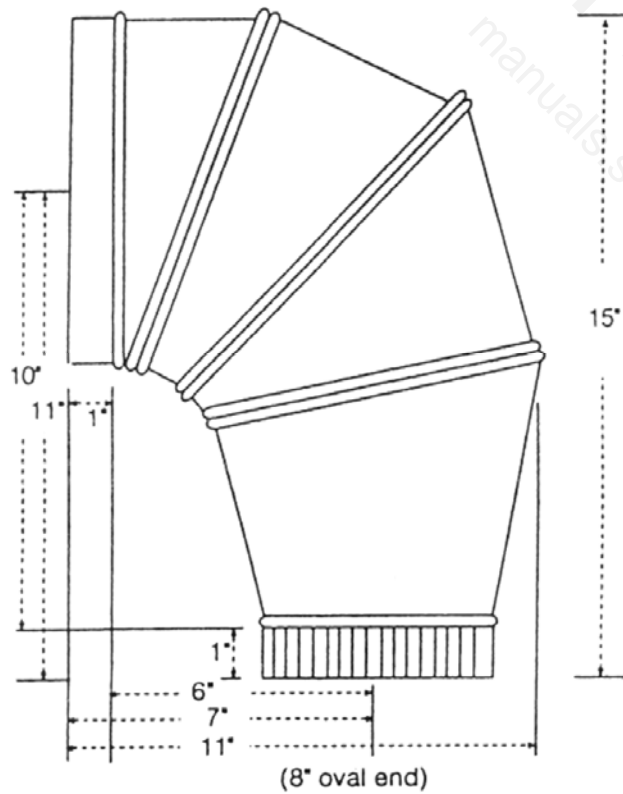


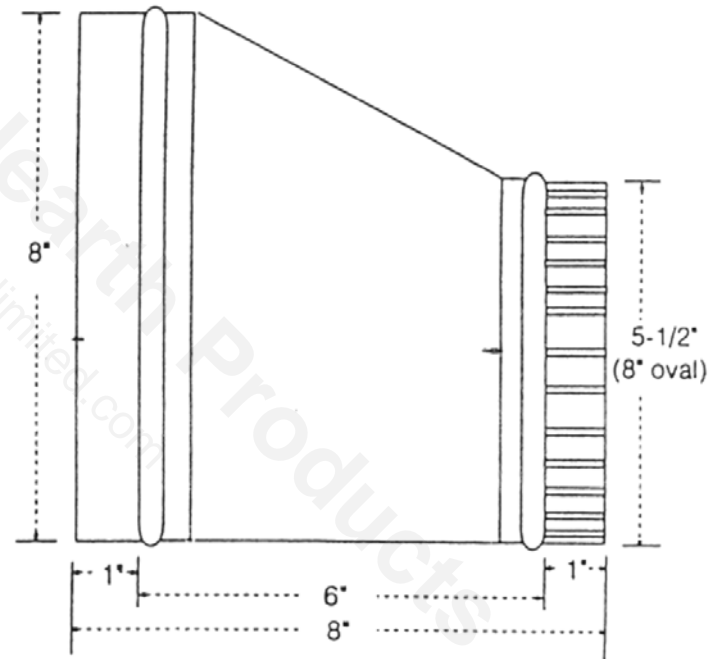
**A service guide with photos of
replacement parts and
numbers to be used as a quick
reference when ordering
wood stove parts**

PIPE ADAPTERS

#000-1846 8" Oval-to-Round Elbow

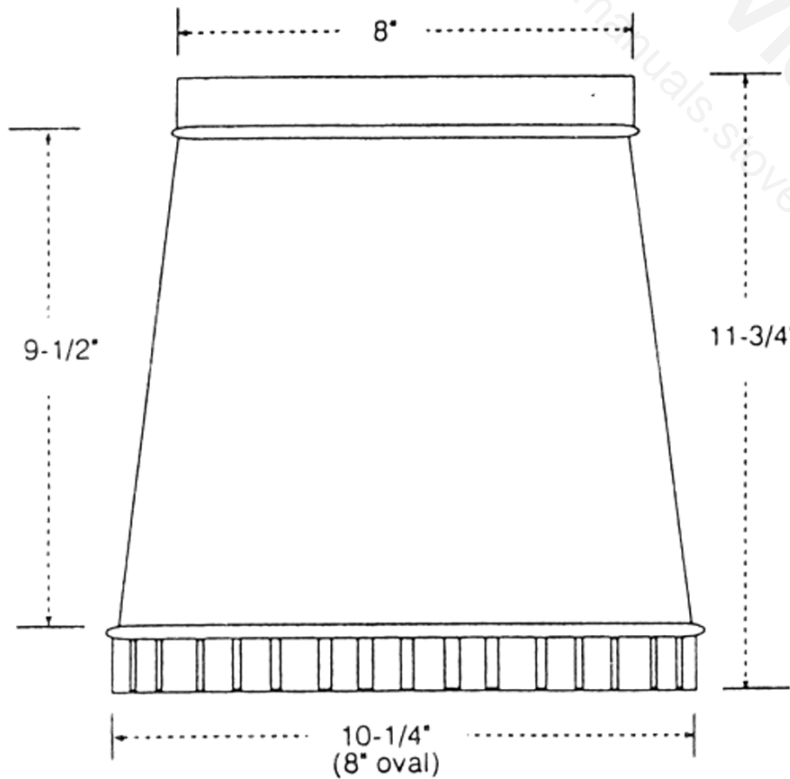


#000-1841 8" Offset Oval-to-Round Adapter

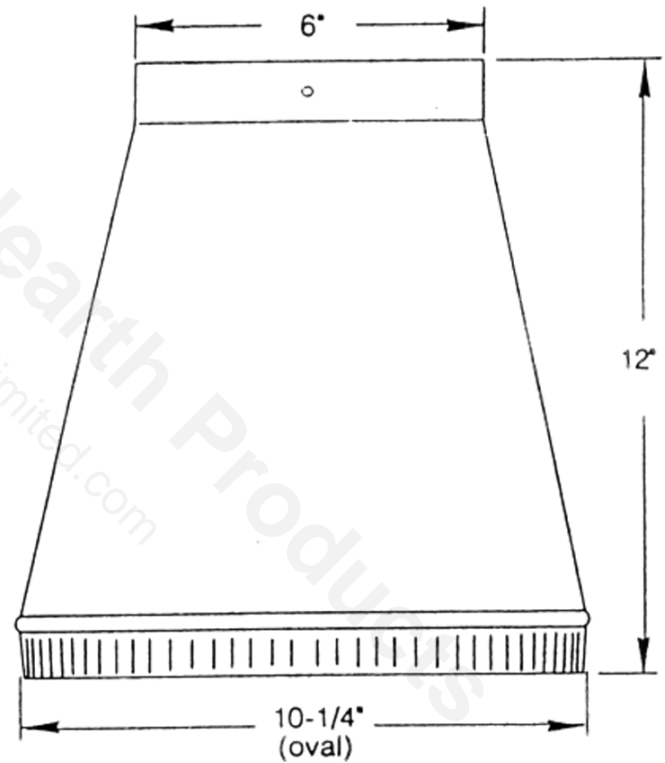


PIPE ADAPTERS

#000-1855 8" x 11" Oval-to-Round Adapter



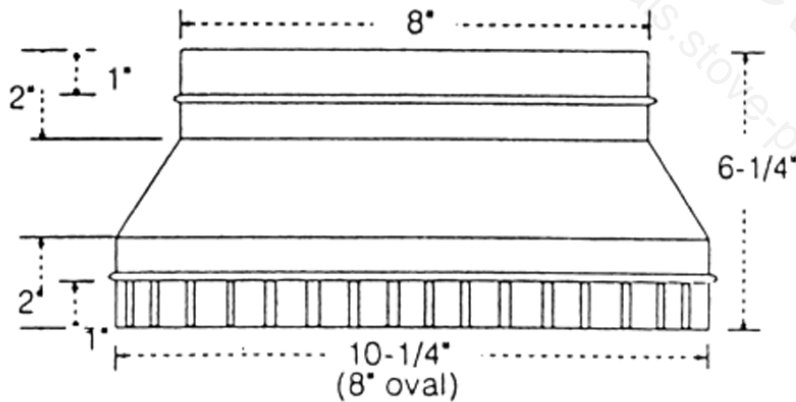
#000-1860 6" Dia. x 12" Oval-to-Round Starter Pipe



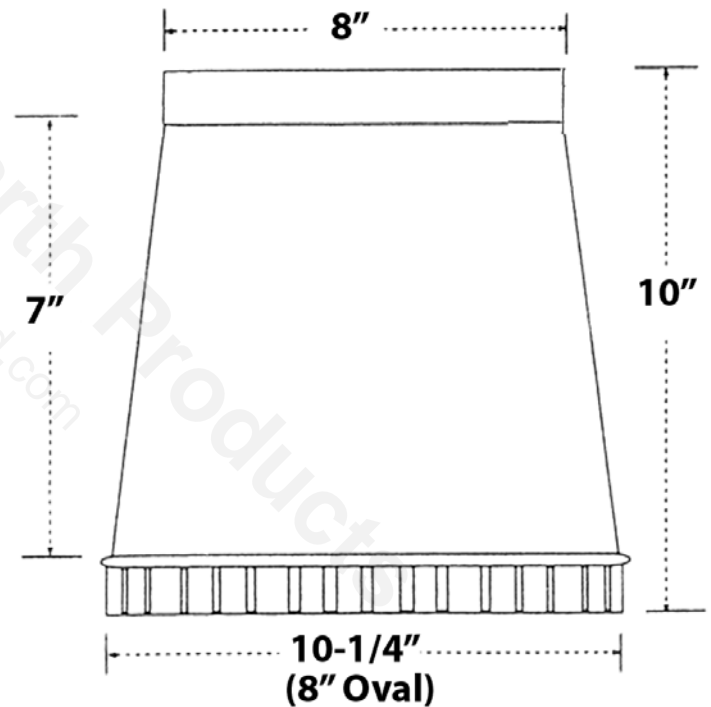
(Same dimensions for enamel 6" oval to round adapters)

PIPE ADAPTERS

#000-1836 8" x 5.5" Oval-to-Round Adapter

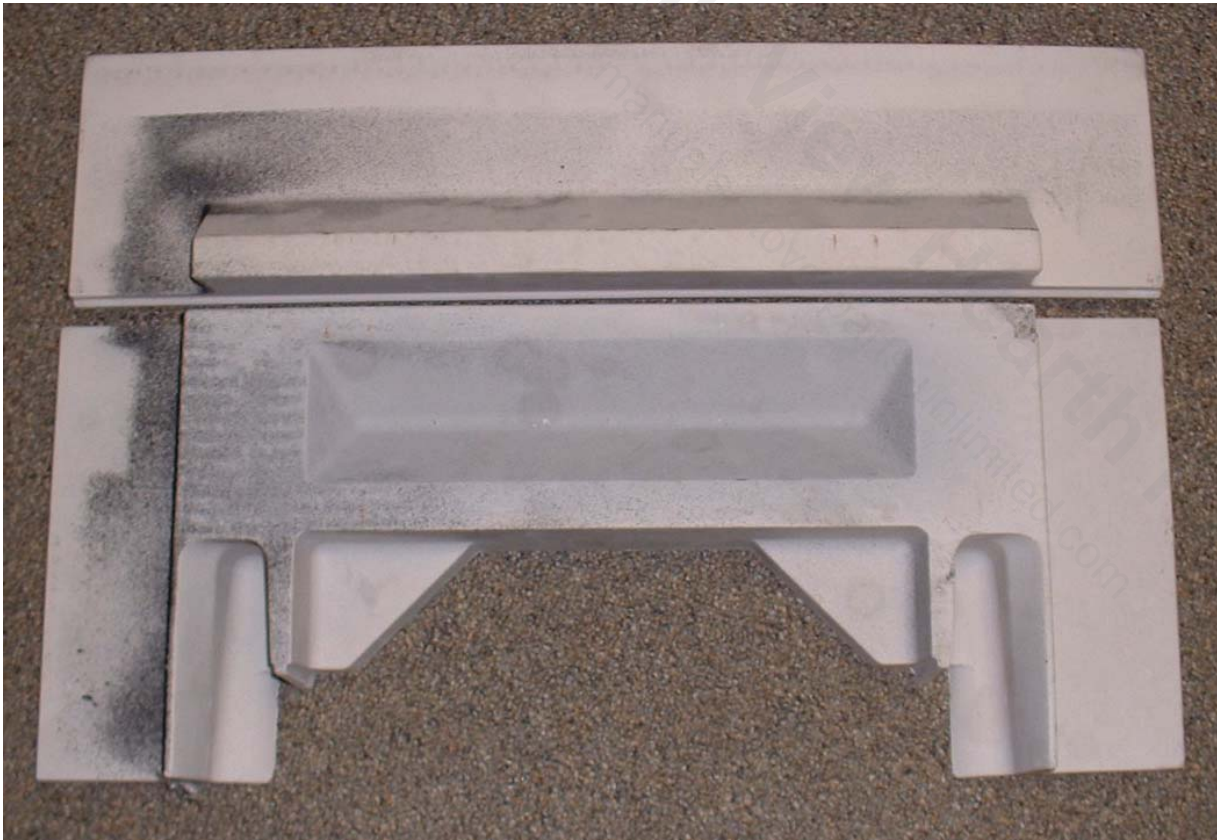


Enamel 8" Oval-to-Round Adapters (various part numbers)



EVERBURN PARTS

Dutchwest NC Upper and Lower Firebacks



Upper Fireback

Small # 30002308

Medium # 30002212

Large # 30002251

Lower Fireback

Small # 30002307

Medium # 30002102

Large # 30002244

EVERBURN PARTS

Encore & Defiant NC Firebacks

Encore NC Fireback # 30002414



Defiant NC Fireback # 30002840



EVERBURN PARTS

Shoe Gaskets

Bottom of Shoe Showing Shoe Gasket Glued On



Small Dutchwest # 30002286

Medium Dutchwest # 30002286

Large Dutchwest # 30002296

Defiant NC # 30002864

Encore NC # 30002418

EVERBURN PARTS

Fountain Assembly (all units use the same part)



Small Dutchwest # 30002100

Medium Dutchwest # 30002100

Large Dutchwest # 30002100

Defiant NC # 30002100

Encore NC # 30002100

EVERBURN PARTS

Shoe Top View



Small Dutchwest NC # 30002101

Medium Dutchwest # 30002101

Large Dutchwest # 30002243

Defiant NC # 30002243

Encore NC # 30002419

Shoe Installed in Fireback



EVERBURN PARTS

Bottom Ash Grate & Shoe Holder



Small Dutchwest NC # 30002092

Medium Dutchwest # 30002092

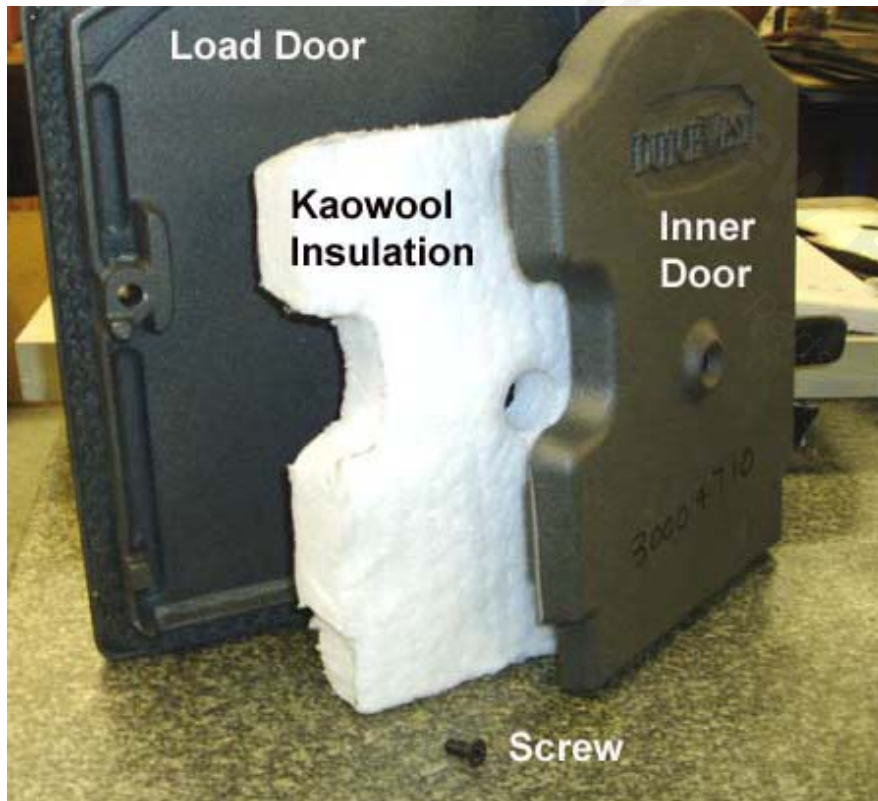
Large Dutchwest # 30002087

Defiant NC # 30002820

Encore NC # 30002390

See tab at the back of the bottom Everburn Grate used to hold the shoe firmly in place

Dutchwest Load Door Assembly



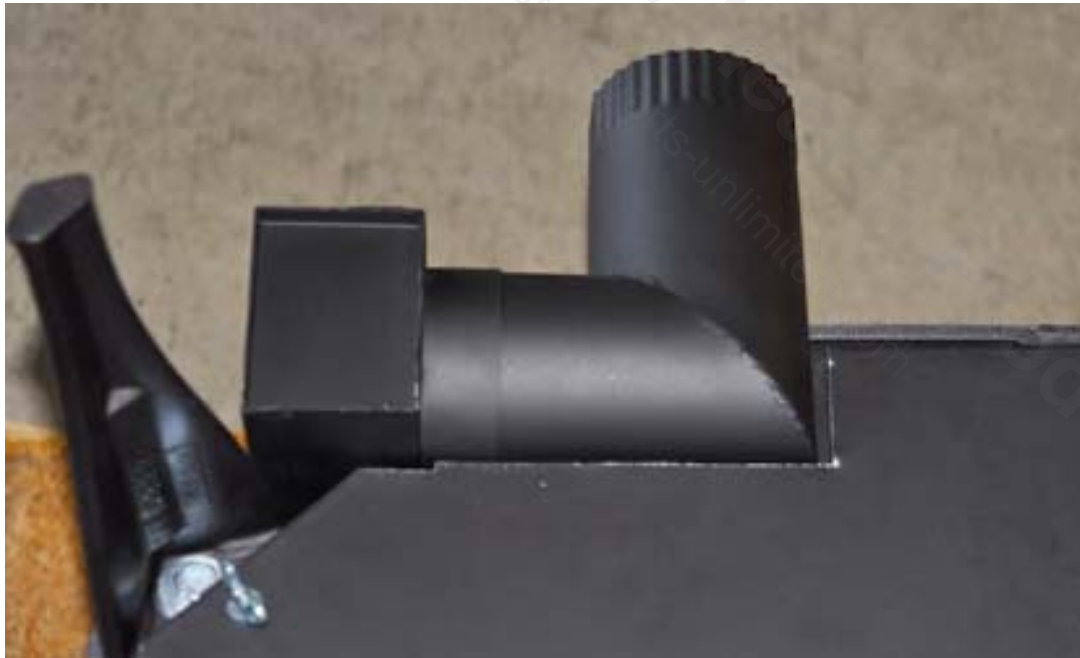
New Dutchwest Non Catalytic Load Door Assembly as of early 2009 replacing load door insulation and refractory

INTREPID II



Outside Air Kit #0003258

Bottom view of Intrepid II outside air adapter installed showing the bottom heat shield cut-out and elbow



INTREPID II



Upper Fireback & Throat Hood



Upper Fireback # 1306703



Throat Hood # 1306763 (formerly 30001649 – same dimensions – different material) installed in Upper Fireback

Encore 2550 Catalytic



Throat Hood & Lower Fireback



Encore Throat Hood # 1308625
(formerly 1304511 – same
dimensions – different material)



Encore Lower Fireback # 1308646

Encore 2550 Fireback Kit

Complete internal fireback rebuild kit # **0005927**. Most internal parts are included as listed below including all gaskets, furnace cement, related hardware, Allen wrench and detailed instructions. Please note kit does **not** include catalytic converter part # 30004588.



Throat Hood # 1308625



Secondary Probe
1601489



Refractory Package
1602510



Lower Fireback # 1308646



Upper Fireback Assembly # 5008649

Encore 2550/Defiant 1945 Catalytic

Refractory Assembly

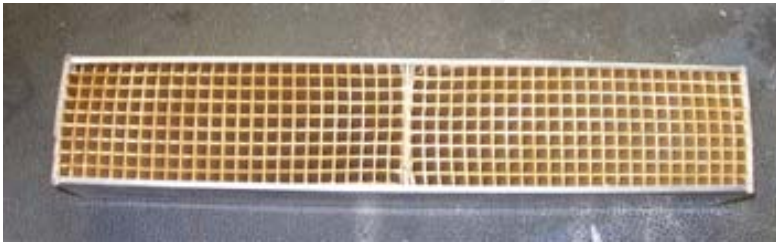


Front View of Refractory Assembly # 1602510
with included access panel installed



Front View of Refractory Assembly # 1602510
with included access panel (1602511) removed
showing the catalyst installed

Catalytic Combustors (Catalysts)



View of old substrate based combustor



View of new metal based combustor used as of October 2008

Combustor Part Numbers

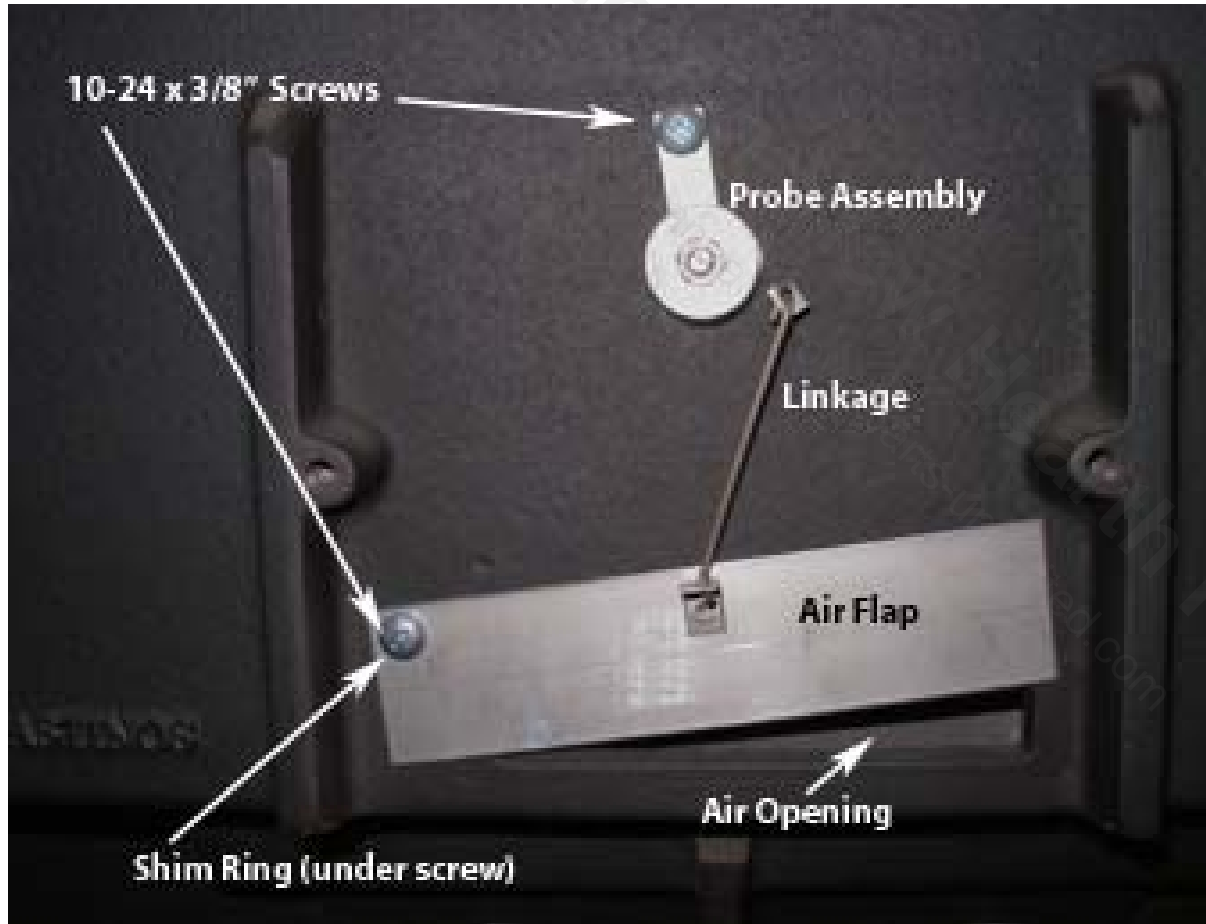
Intrepid II & WinterWarm Small # 30004590

Encore & Defiant # 30004588

All Dutchwest Convection Catalytic 6" Round # 700C56M

Catalytic Secondary Air Probe Assembly

Used on Intrepid II, Encore 2550, Defiant 1945 & WinterWarm Small Insert



Secondary Air Probe
Assembly # 1601489

Air Flap # 1601490

Linkage # 1601486

Shim Ring # 120-1986

10-24x3/8" Ph Screws
#1200998

Shown with secondary cover removed

Montpelier Insert

Main Firebox Parts



Blower Assembly # 30004416

Andiron # 30004231

Left End Brick # 30004331

Right End Brick # 30004330

Back Brick # 30004326

Lower Bottom Brick # 30004327

Slanted Bottom Brick # 30004328

Upper Bottom Brick # 30004329

Front 2 Secondary Tubes # 30004377

Rear 2 Secondary Tubes # 30004387