

Warming Shelf #0200, #0210 - Installation

Instructions for the Encore Models 1450, 2040

Defiant Models 1610, 1975



Contents:

- (1) Warming Shelf (#0210), Defiant
- (1) Warming Shelf (#0200), Encore
- (2) Mittenracks
- (1) Bracket, Right
- (1) Bracket, Left
- (1) Bracket, Dragon
- (2) Cap Screw 1/4-20 x 1/2" hex head
- (3) Cap Screw 1/4-20 x 5/8" hex head
- (3) Washers
- (4) SS,Soc 1/4-20 x 7/16
- (1) 1/8" Allen Wrench

Tool Required:

7/16" open-end wrench

Warming Shelves add versatility to your stove; they keep foods warm at mealtime, and provide a convenient spot to store a kettle or pan when you top-load your stove.

The Warming Shelf is designed to hold up to 30 pounds. However, always place objects on a shelf carefully to avoid sudden impact. Containers left on the shelves or on the stove for long periods of time should have water in them to prevent damage from overheating.

Take special care with stoves and shelves that are enameled, to avoid chipping the finish.

Each Shelf includes a pair of nickel-plated mittenracks that are ideal for drying damp mittens, socks, dish towels, etc. Do not leave combustible items unattended on the shelves or mittenracks for extended periods of time, however, as they may overheat.

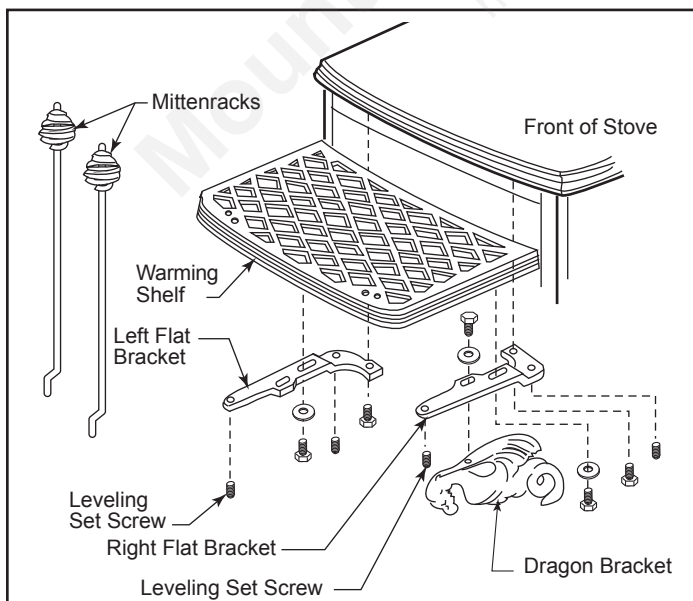


Figure 1 - Warming shelf parts.

The Shelf installation is completed in three stages. Attach the two brackets loosely to the stove, leaving the screws loose enough to allow final adjustments. Then, position the shelf and adjust the brackets so the shelf fits correctly. Finally, tighten the screws.

Part 1. Attach the Brackets and the Shelf

1. Screw the leveling set screws into the bottom of the flat brackets as shown in Figure 1.
2. Screw the flat brackets to the stove. Pass a 1/4"-20 x 1/2" hex-head cap screw up through each bracket and into the threaded hole in the stove's top plate. (Figure 2) Tighten the screws enough to secure the brackets, but keep them loose enough for the brackets to move slightly.

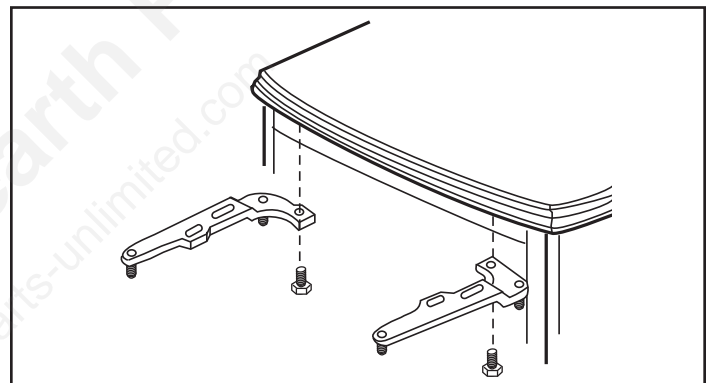


Figure 2 - Attach brackets to threaded holes in top plate.

3. Attach the dragon bracket to the flat bracket at the front of the stove using a flat washer under the head of a 1/4"-20 x 5/8" screw. (Figure 3) Tighten the screw only finger-tight.

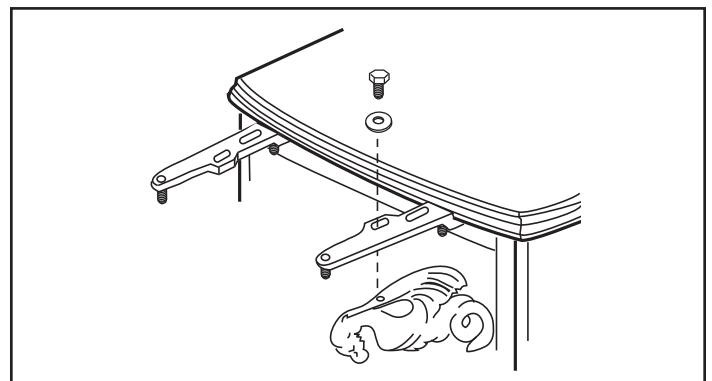


Figure 3 - Attach dragon bracket to front flat bracket.

There is a groove on the underside of the flat bracket. Position the flat bracket so the top of the dragon bracket will fit in the groove. (Figure 4)

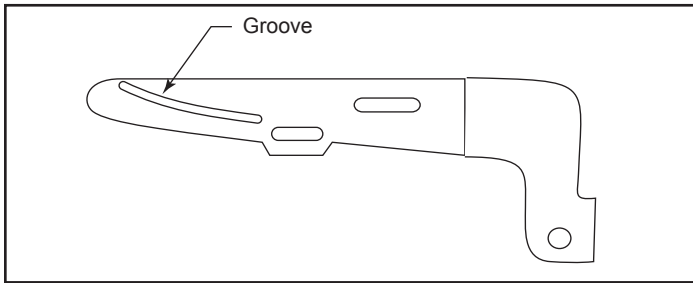


Figure 4 - Groove on underside of flat bracket.

4. Secure the shelf to the flat brackets with 1/4-20 x 5/8" screws, with a flat washer under the head of each screw. Finger tight is tight enough.

Part 2. Position the Shelf and Tighten the Screws

1. Adjust the shelf so there is a small, even gap between the edge of the stove top and the shelf. Especially with enameled stoves, leave a gap to avoid chipping the finish.

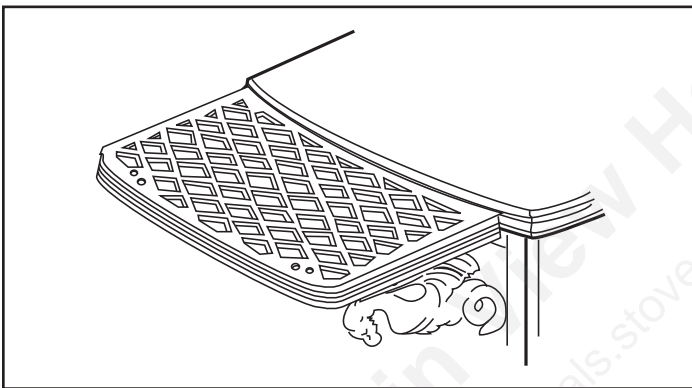


Figure 5 - Warming shelf in place.

2. Level the shelf by raising or lowering the outside edge gently. Move the dragon bracket toward the stove until it just touches the side of the stove. The dragon bracket will hold the shelf level. Tighten the screws holding the shelf to the flat brackets. Adjust set screws as necessary to further level the shelf.

Be sure the top of the dragon bracket is in the groove on the underside of the flat bracket. (Figure 4)

Encore: The dragon's tail should be to the rear of the raised molding on the side plate of the stove. Tighten the screw while holding the shelf level.

Defiant: The dragon's tail should rest on the flat surface between the raised molding and the front edge of the stove. Tighten the screw while holding the shelf level.

3. Position the shelf so the indentation on its bottom fits on the raised bead on the top of the flat bracket. Tighten the screws holding the flat brackets to the stove with a 7/16" wrench. If the shelf does not stay in position while you tighten the screws, remove it from the stove and start over.

Insert the mitten racks by passing their crooked ends downward through the holes in the outside edge of the shelf. The mitten racks will hang vertically until you are ready to use them. For use, slide them upward until their crooked ends meet the underside of the shelf and then position the racks horizontally.

NOTE: Check the installation occasionally by gently striking the outside edge of the shelf with the heel of your hand. If the shelf is loose, tighten the screws a little. Check all screws for tightness every six months or any time the shelf feels loose.

Warming Shelf Parts for Service - Encore & Defiant						
Color	Models Where-Used	Kit	Shelf	Dragon Bracket	Left Bracket	Right Bracket
Classic	1450, 2040, 1610, 1975	0000200	30002477A	1302220A	30002478A	30002479A
Biscuit	1450, 2040, 1610, 1975	0000205	SRV30003094	SRV30002948	30002478A	30002479A
Majolica Brown	1450, 2040, 1610, 1975	0000208	SRV30004850	SRV30004818	30002478A	30002479A
Bordeaux	2040, 1975	0000199	SRV30006689	30006690A	30002478A	30002479A
Twilight	2040, 1975	0000198	SRV30007074	SRV30007075	30002478A	30002479A

Mountain View Hearth Products
 manuals.stove-parts-unlimited.com



352 Mountain House Road • Halifax, PA 17032
 www.vermontcastings.com