

## **LARGE WINTERWARM SWING ARM REPLACEMENT**

Centre a 3/16" x 1" stainless steel damper rod pin (120-1839) in the hole in the end of the 1/2" x 5-1/2" damper control rod. Use "Loctite" glue when installing this pin. Insert the pinned end of the rod in the face of the damper swing arm so the ends of the pin are in the slots in the swing arm. Attach the swing arm to the bottom of the control rod with a 1/2" x 3/16" thick stainless steel washer (120-2488) and a 1/4-20 x 1/2" stainless steel hex head cap screw for older pre '91 models or thread the 1/4-20 hex lock nut (120-3210) on the threaded rod for the newer models made after '91. Ensure the other end of the swing arm engages the swing arm retainer on the back of the damper.

**Please make sure the bottom washer is tightened fully against the bottom of the swing arm so it will fully engage the pin.**



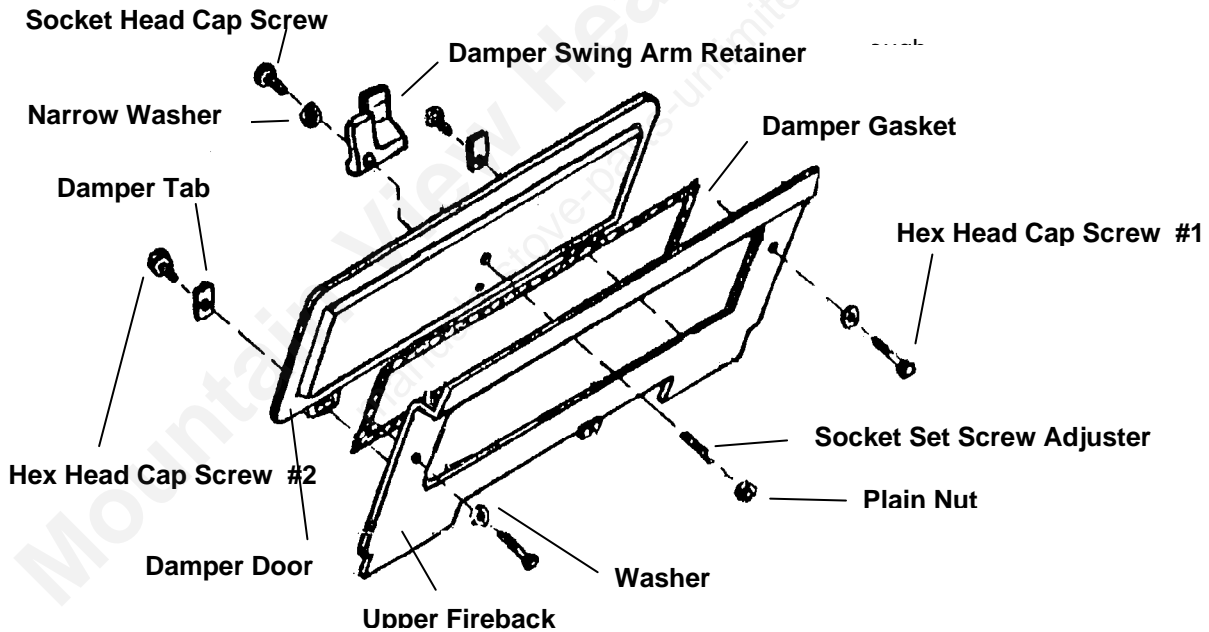
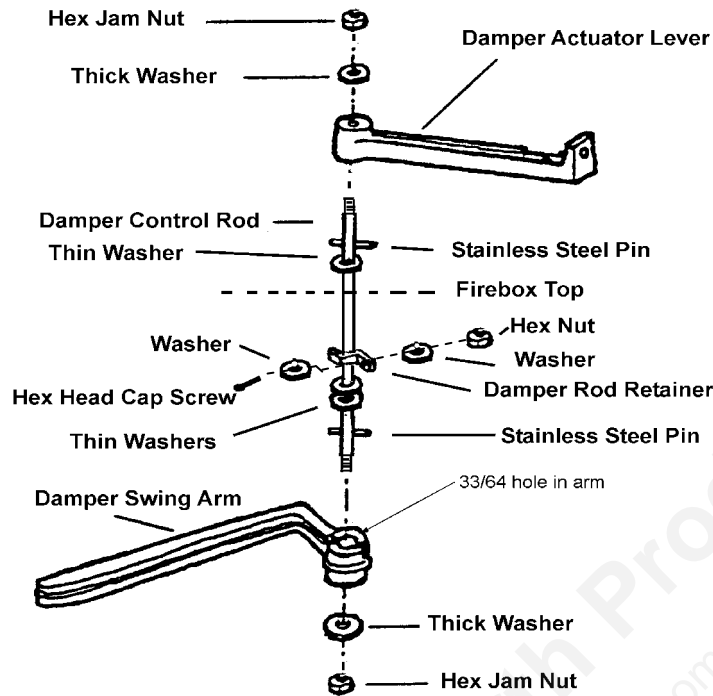
**View through  
the flue collar  
opening of  
system  
assembled**



**View of Swing  
Arm, Bolt,  
Washer and SS  
Pin before  
installation**

Mountain View Hearth Products  
manuals.stove-parts-unlimited.com

# LARGE WINTERWARM DAMPER CONTROL PARTS CURRENT MODEL 2100



DAMPER CONTROL PARTS		MAIN DAMPER PARTS	
3/8-16 Top Lock Hex Jam Nut	120-3290	Hex Head Cap Screw #1 - 1/4-20 x 1 1/2"	120-1386
Thick Washer	120-2488	Socket Set Adjuster Screw 1/4-20 x 1/1/4"	120-0446
3/16" Stainless Steel Pin	120-1839	Plain Hex Nut	120-3210
Damper Actuator Lever	130-1283	Washer 1/4 Standard Flat	120-2474
Damper Control Rod	160-4522	Hex Head Cap Screw #2 - 1/4-20 x 1/2"	120-1338
Damper Swing Arm	130-1282	Damper Tab	160-1488
.52ID x .875OD Thin Washers	120-2492	Washer 1/4 Narrow Flat	120-2475
Washer Flat 1/2" Above Firebox	120-2491	Socket Head Cap Screw 1/4-20 x 3/4"	120-0461
Washers For Damper Rod Retainer	120-2488	Upper Fireback	130-1260
Hex Head Cap Screw 1" For Rod Retain	120-1326	Damper Door	130-1259
Damper Rod Retainer	130-1271	Damper Gasket (In UFB) 4 Feet of	120-3589
Hex Nut For Damper Rod Retainer	120-3210		