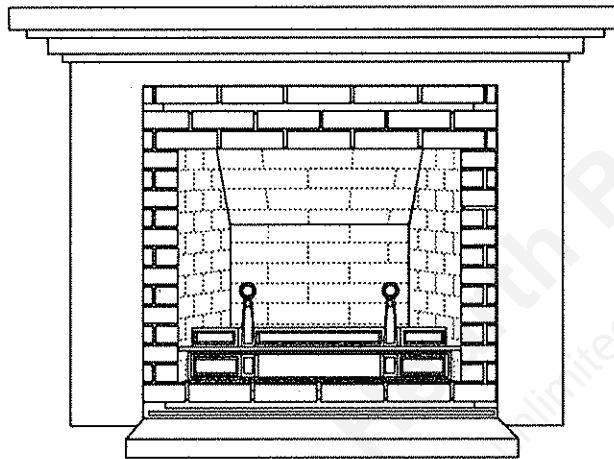


VERMONT CASTINGS FIREPLACE



Zero Clearance Model 2050
Installation and Owner's Manual
for use in the U.S. and Canada

S A F E T Y N O T I C E

If this fireplace is not properly installed, operated and maintained, a house fire may result. For safety, follow all installation, operation and maintenance directions. Contact local building officials about restrictions and installation inspection requirements in your area.



Underwriters Laboratories Inc.®
LISTED



Table of Contents

Specifications	1
General Information	2
Installation Planning	4
Installation Procedures	11
Operation	16
Maintenance	19
Part Lists	21 / 22
Appendix A: HT Chimney Systems	23 / 24
Warranty	Back Cover

INSTALLER:

Please read this manual before you begin installation procedures. Failure to follow instructions may result in property damage, bodily injury or loss of life. This manual contains important user information. Keep this manual with the fireplace after installation..

Specifications

Vermont Castings Fireplace Model 2050

Flue Opening	10"
Overall Width	44 1/2"
Overall Depth	23 5/8"
Overall Height	52"
Weight	365 lbs.
Fuel: Wood or listed decorative gas burner	

Install the air cooled chimney systems only with Vermont Castings Inner Chimney Adaptor #140-8826 and Outer Chimney Adaptor #140-8839 included with this fireplace. Insulated chimneys use their own anchor plates. Do not use the adaptors supplied with the fireplace.

The Model 2050 Fireplace is tested and approved for use with the following listed fireplace chimney parts:

U.S.

Air cooled:

- Majestic Co. Model CF 11
- Heatilator Inc. Model SL 400
- Marco Manufacturing, Model 10D
- Martin L Series
- Superior Fireplace Co. Model TF10

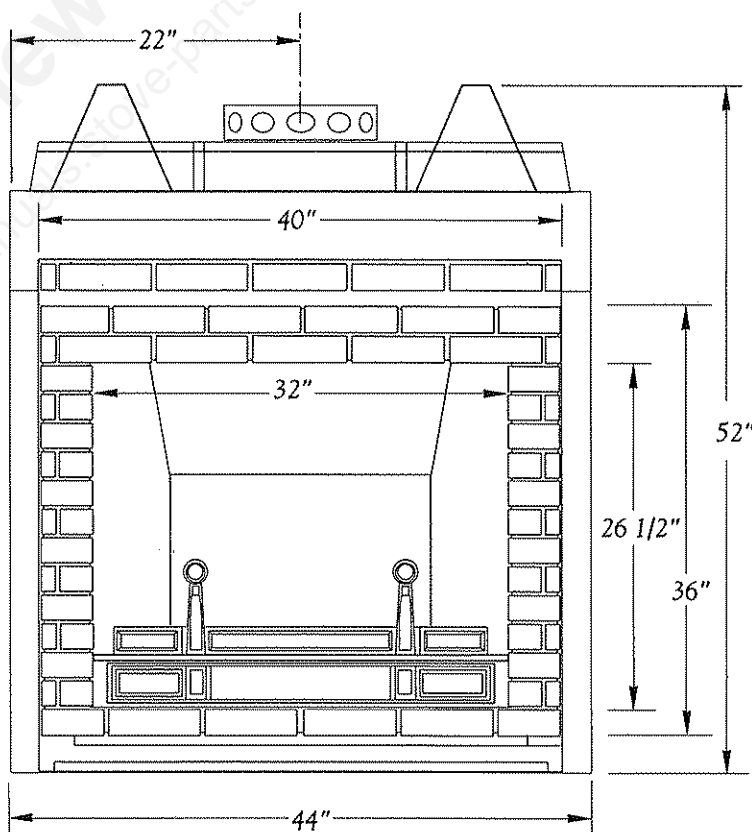
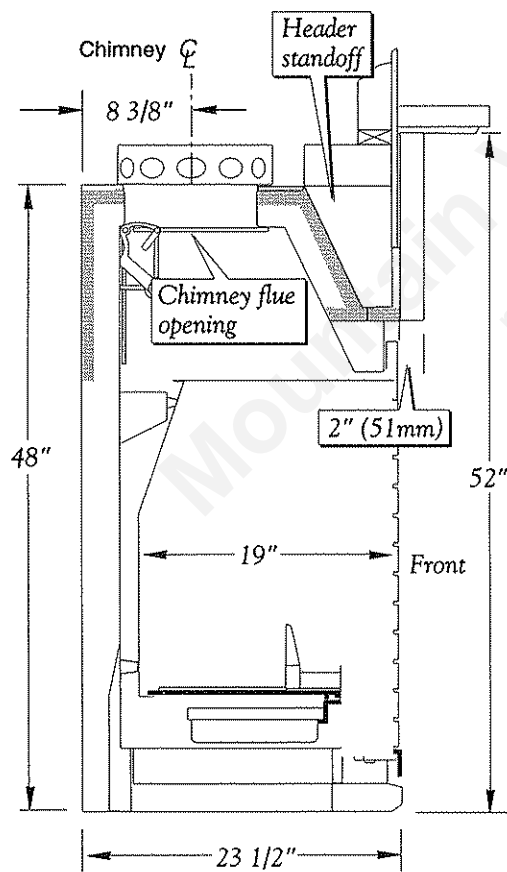
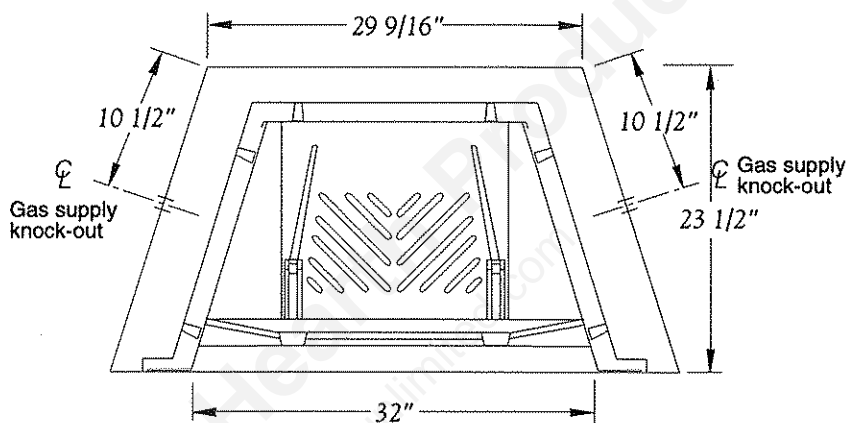
Insulated:

- Hart & Cooley TD 10
- Metal-Fab TG 10
- Security ASHT 10

Canada:

Insulated:

- Selkirk Metalbestos SS10
- Security ASHT 10



Drawings not to scale.

General Information

PRECAUTIONS

The Vermont Castings Zero Clearance Fireplace has been specifically designed and tested to operate safely when installed according to the installation instructions contained in this manual. Read all instructions before starting the installation.

WARNING: If this fireplace is not properly installed, a house fire may result. For your safety, follow the installation instructions precisely.

It is imperative that you install the Vermont Castings Zero Clearance Fireplace only with components listed and recognized for use with the fireplace. Use of alternative components may void the warranty and/or result in a hazardous condition.

Use only those listed fireplace chimney parts specified in this manual on Page 1.

Do not install a damaged fireplace or chimney part.

DO NOT make modifications to any Vermont Castings Zero Clearance Fireplace parts.

Use only the installation instructions provided by Vermont Castings for this fireplace.

Some local building codes may require site-built or unlisted fireplaces to have greater clearances than those contained in this manual. The clearances in the manual have been tested and listed by UL to UL127 safety standards for factory built fireplaces.

The Vermont Castings Model 2050 Fireplace is NOT approved for installation in mobile homes.

DO NOT install a fireplace insert or any other products that have not been specified for use herein by Vermont Castings, Inc.

Burn solid wood fuel or UL classified commercially available fireplace logs only. Do not use treated wood, driftwood, chemical chimney cleaners or flame colorants in your fireplace.

NEVER use gasoline, gasoline-type lantern fuel, kerosene, charcoal lighter fluid or similar liquids to start or "freshen up" a fire in this fireplace. Keep any flammable liquids a safe distance from the fireplace.

DO NOT use charcoal or coal.

Only ANSI Z 21.60 tested and listed decorative gas fireplace logs are acceptable for installation in the fireplace.

NEVER leave children unattended while there is a fire in the fireplace.

UNPACK THE FIREPLACE

The fireplace is shipped completely assembled and ready for placement and connection to the chimney. The Fireplace can be considerably lightened to ease handling and installation by removing the cast iron components. Follow the disassembly procedure outlined in the maintenance section.

Inspect the fireplace for shipping damage. Do not install this fireplace if there is any visual or suspected damage resulting from shipping or handling. Report damage to your dealer/distributor immediately.

1. Remove the hardware box located within the firechamber. Check its contents against this list:
 - 24 #10 TEK screws
 - 8 L brackets
 - Gas supply conduit plate
 - 2 Safety plates
 - Inner chimney pipe adaptor
 - Outer chimney pipe adaptor
 - Ashpan and cover
 - Silicone and paint kit
2. Remove the cardboard packing retainers from above the lintel.

Check the operation of the following moving parts:

1. **Damper** - The fireplace is shipped with the damper in the closed position. Pull the cast iron damper lever forward to open the damper plate. Push the lever all the way to the rear to engage it in the closed position. See Figure 1.
2. **Outside Air Valve** - The valve is controlled by a handle located at the upper left side of the firechamber. Figure 2. The valve door is opened and closed by pulling the handle up and pushing it down.
3. **Ash Door** - The ash door pivots to the right to allow removal of the ashpan using the ashpan cover.

ACCESSORIES

Open and inspect any accessory items that may be installed with the fireplace. Familiarize yourself with the installation procedures and note how they relate to the fireplace installation.

While the door enclosure may be installed at any time, the fan wiring and the outside air kit should be installed before the fireplace is totally framed and enclosed within the finished walls.

Fan Kit #3275

The 110V house circuit should be directed to the already wired junction box on the right side of the fireplace (as you face it) before the framing and enclosure is complete even if the fan is to be installed later. Follow the instructions provided in the kit.

Outside Air Duct #3274

This kit contains listed fireplace parts to direct combustion air to the firechamber from outdoors. A control valve is built into the left side of the fireplace. Test the operation of the shutter before installing the kit. Follow the installation instructions provided in the kit.

Vermont Castings Door Enclosures

Large: #3276 / Small: #3277 & 3279

These glass door enclosures are specifically designed for installation on the Vermont Castings Fireplace and can be installed at any time after the fireplace installation is complete.

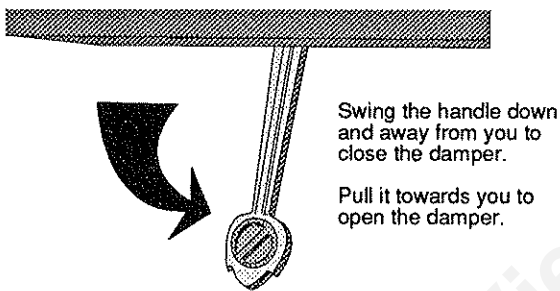


Figure 1. Damper operation.

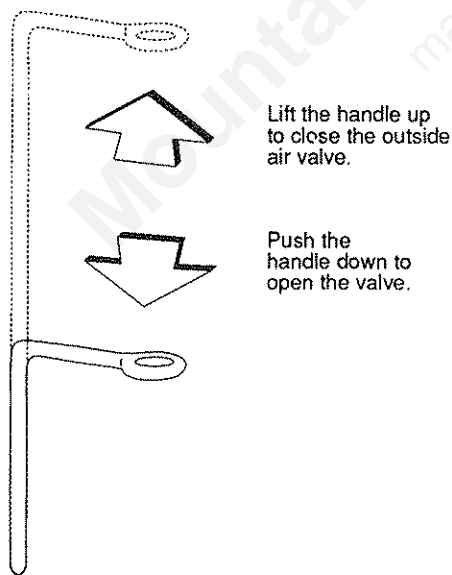


Figure 2. Outside air valve operation.

Installation Planning

FIREPLACE LOCATION

When planning the fireplace location, it is important to consider heat circulation, aesthetics, chimney obstructions and clearances to side walls. Careful planning is critical to a safe and economical installation process. A slight adjustment of only a few inches can save much time and expense later.

1. There must be sufficient strength to support the weight of the fireplace (365 lbs.) and chimney. Be sure that the total weight of these parts and related construction materials conforms with building code specifications. Additional structural support may be necessary.
2. This fireplace may be placed on a flat, hard surfaced combustible floor or on a wooden platform without air space from combustible construction. There must be sufficient area to support the entire base of the fireplace.
3. Combustible construction materials adjacent to the fireplace may require protection. See clearance information below.
4. Carefully locate the fireplace so as to cut as few floor joists and roof rafters as possible.
5. Consider how the fireplace will relate to air circulation within the building. Outside entrances facing the fireplace, adjacent stairwells, bath and kitchen exhaust fans and/or furnace return air registers all can have a negative influence on fireplace performance, especially in very tight building construction.
6. The mantel instructions apply to custom made or site-built mantels. All Vermont Castings mantels are already built to the required clearance tolerances.

CHASE CLEARANCE REQUIREMENTS

The fireplace and chimney must be totally enclosed when installed in or passing through areas where combustible materials or people may come into contact with them.

An open air space of 1/2" must be maintained between the fireplace cabinet and combustible surfaces or insulation. Figure 3.

The chimney requires a minimum 2" (51mm) air space to combustible materials. Figures 3 & 4.

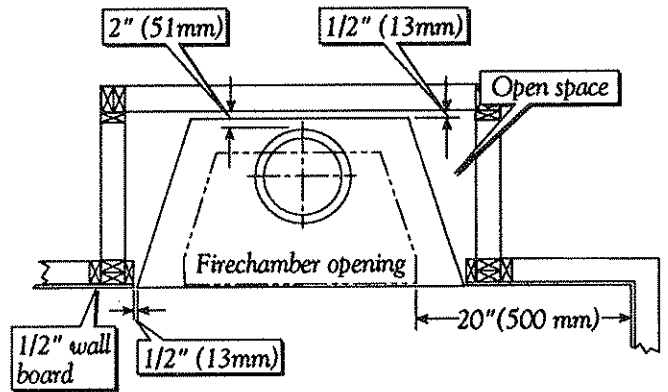


Figure 3. Side Clearances.

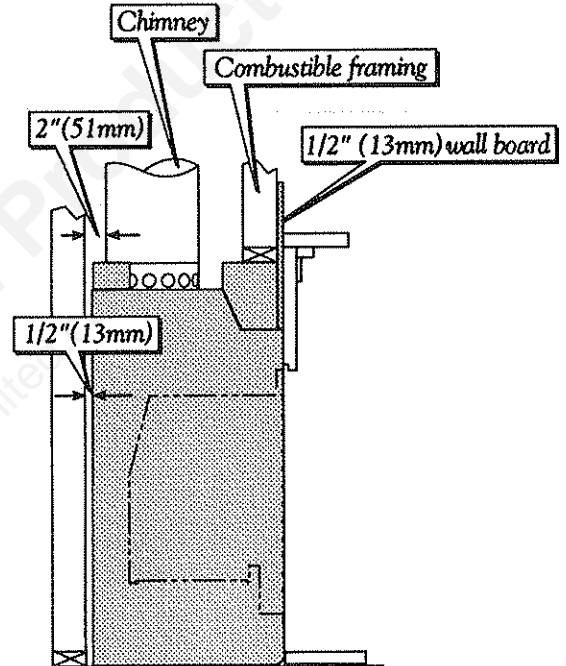


Figure 4. Clearances to combustible framing members.

CHASE CONSTRUCTION REQUIREMENTS

A chase is a vertical structure constructed to enclose the fireplace and chimney system. See Figures 5, 6, 7 and 8. It should be constructed and insulated as any outside wall. Standard chimney precautions apply; avoid overhead obstructions such as trees, power lines, etc. In cold climates, additional insulation can be installed between the fireplace floor and the base of the chase.

WARNING: Insulation or vapor barrier materials must be covered with rigid material (gypsum board, plywood, particle board, etc.) to prevent contact with the fireplace under any circumstances.

WARNING: Do not pack or fill required air spaces with insulation or other material. No material is permitted in designated air spaces.

PARALLEL WALL INSTALLATION

CORNER INSTALLATION

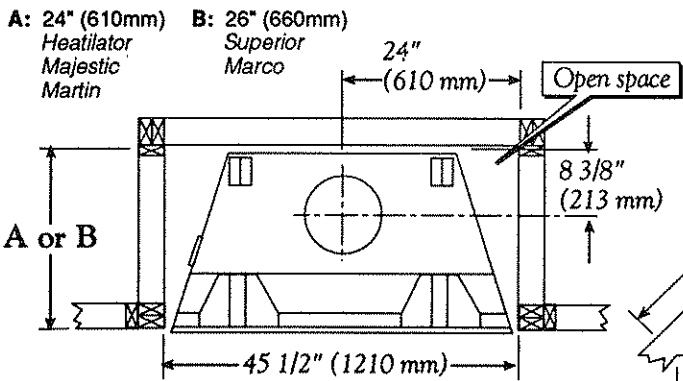


Figure 5. Exterior chase.

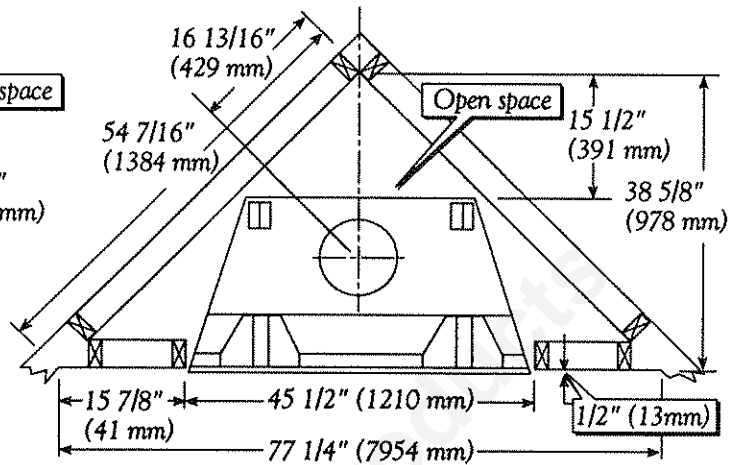


Figure 8. Corner chase.

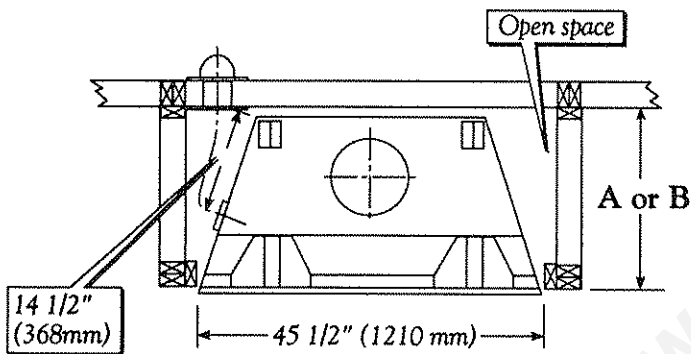


Figure 6. Interior chase.

HEARTH REQUIREMENTS

A hearth extension must be installed in front of the fireplace to protect a combustible floor and adjacent unprotected materials from radiant heat and sparks. It must extend a minimum 16" (18" in Canada) from the front opening and 8" beyond each side of the opening. Figure 9.

- A: 8" (203mm)
- B: 32" (812mm)
- C: 48" (1220mm)
- D: 16" (406mm) U.S.
- 18" (457mm) CANADA

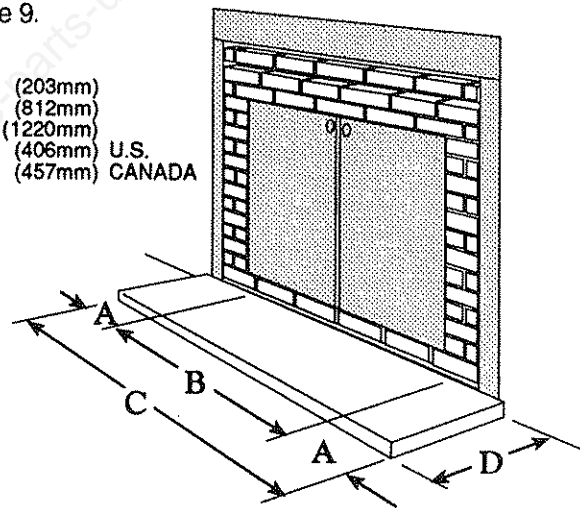


Figure 9. Hearth protection area.

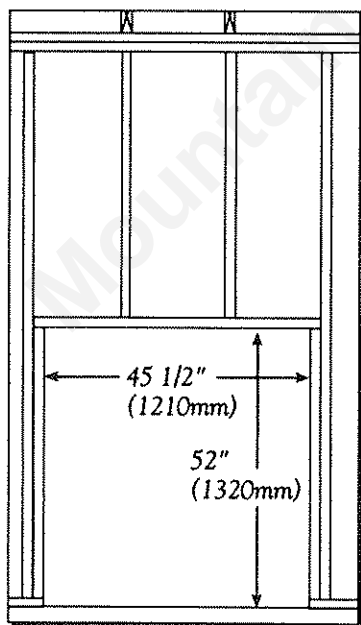


Figure 7. Chase framing, front.

Combustible floor protection consists of 24 gauge (or two pieces of 28 gauge) galvanized sheet metal or a listed floor protector such as WonderBoard® or Durock®. This floor protection may be covered with any decorative non combustible material.

Custom floor protection may be used if it offers the same protection as described above, having a K value of .84.

A third option is to use Vermont Castings' Hearth # 2067.

Determining K Value

You can determine the required thickness of any material if you know its K value. Ask your building material supplier for the K value of the desired material. Use the following formula:

Example: Brick has a K value of 5.0. How thick must the brick layer be to provide equivalent protection?

$$\frac{\text{K value of desired material}}{.84} \times \text{Thickness of desired material} = \text{Required thickness of desired material}$$

That is, when using brick as a hearth extension, the brick must be a minimum of 2.24" (65mm) thick.

$$\frac{5.0}{.84} \times 3/8" (11 \text{ mm}) = 2.24" (65 \text{ mm})$$

Once you know the K value of a given material, you can use this formula to calculate its required thickness to provide approved hearth protection.

A hearth extension covering a non combustible or concrete slab floor can consist of any 3/8" (10 mm) thick non combustible material.

FACE WALL REQUIREMENTS

When installed, the fireplace face will stand out 1/2" from the front framing. This will allow the surrounding 1/2" wall board to align flush with the fireplace face (the painted steel surround). The edge of a combustible finished wall must maintain 1/2" clearance to the sides of the fireplace cabinet. The joint between the wall and the fireplace may be sealed with a non-combustible caulk. See Figure 11.

Combustible finished wall material may be installed to rest on the ledge between the upper surround panel and the header standoff as shown in Figure 14. Do not notch the wall material to fit below the ledge.

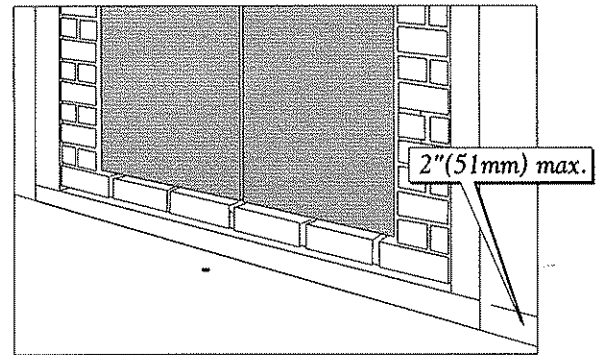


Figure 10. Maximum hearth thickness/air inlet clearance.

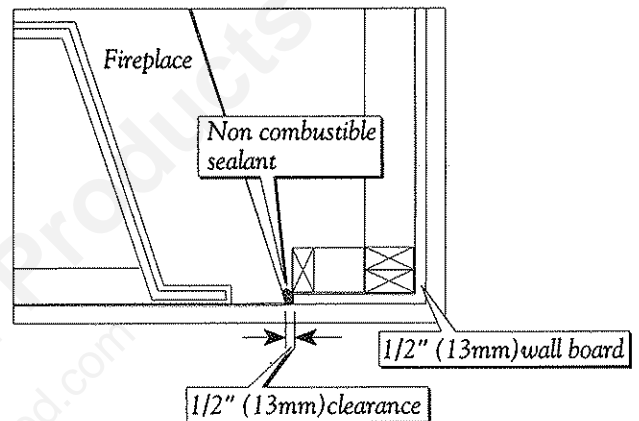


Figure 11. Face wall/cabinet clearance.

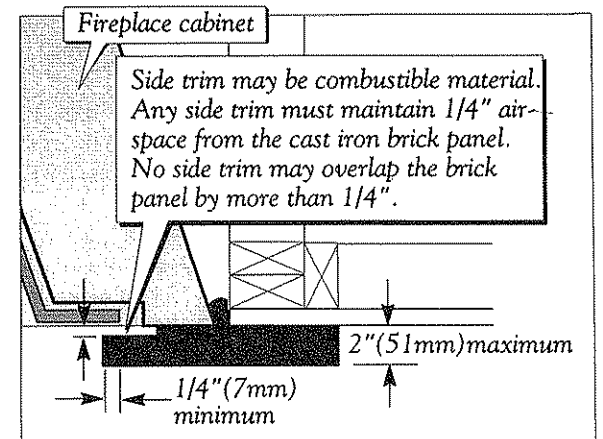


Figure 12. Finish trim clearance.

IMPORTANT

- Combustible trim materials may overlap the painted steel fireplace face only as designed in Figures 12, 13 and 14. In no case may combustible materials be installed less than 2-1/2" (61 mm) above the air outlet opening, except as shown in Figures 13 & 14.
- Do not install any decorative facing material to overlap the cast iron brick panels around the fireplace, except as shown in Figure 12.
- Combustible or non combustible decorative materials (marble, ceramic tile, brick) may be applied to the black steel fireplace face as shown in Figure 14.
- You may apply non combustible facings over the brick. This material may block the air inlet and outlet.
- Combustible face trim can overlap the cast-iron 'brick' panels by 1/4" maximum and only with 1/4" air space as shown in Fig. 12.

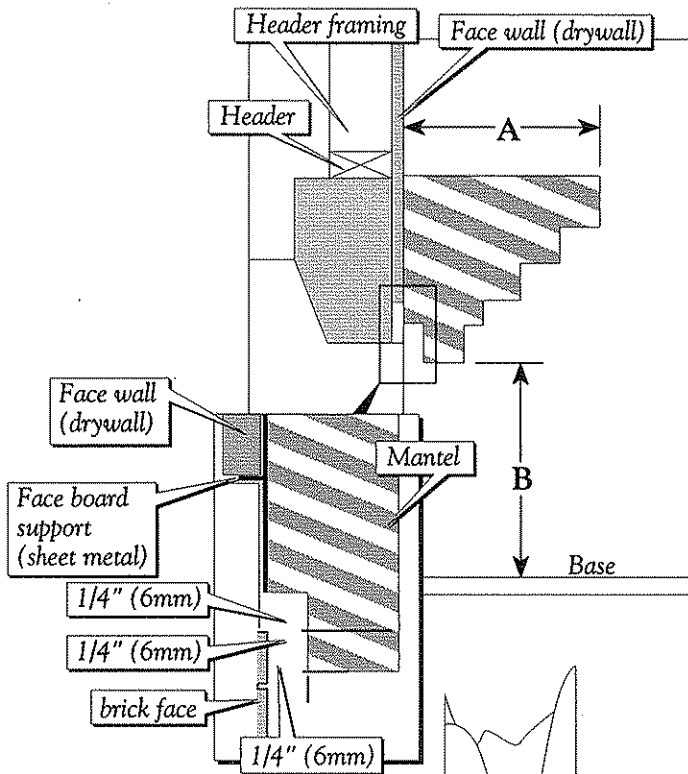


Figure 13. Mantel clearance.

COMBUSTIBLE MANTEL CLEARANCES

Clearances for a combustible mantel or trim above the fireplace opening will vary depending on the depth (A) of the material. The following table corresponds to Figure 13. Mantels available from Vermont Castings meet these clearance requirements. The following information is for custom built mantels or trim.

A = mantel or top trim depth
B = minimum height measured from the fireplace base

When :

A = 10 1/4" maximum	A = 4 1/2" maximum
B = 45 1/2" minimum	B = 41" minimum
A = 8 1/4" maximum	A = 2" maximum
B = 44" minimum	B = 39 1/2" minimum
A = 6 1/2" maximum	
B = 42 1/2" minimum	

The mantel or side trim may extend over the brick facing by no more than 1/4" to obscure the brick/sheet metal interface *if* it is constructed to maintain 1/4" of air space, as shown in Figure 13. The lowest point on the inside (back) of the mantel must be at least 39 1/2" above the base of the fireplace.

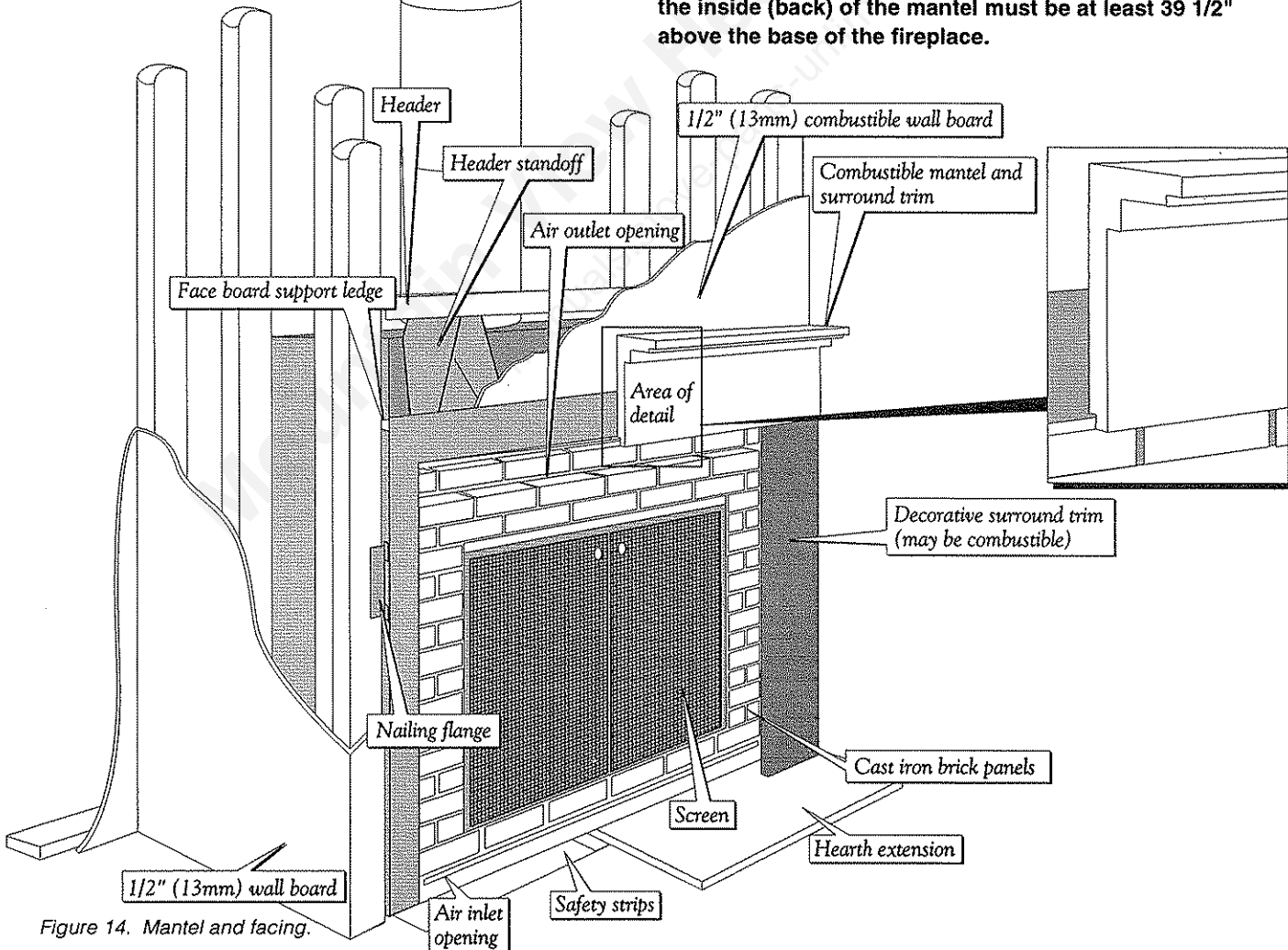


Figure 14. Mantel and facing.

CHIMNEY SYSTEMS

The Model 2050 Fireplace is approved for installation and use with the manufactured listed chimney parts in Table 1 below and Table A1 in Appendix 1, page 23. Use only one brand of parts; do not mix components from different manufacturers.

Total system height from the fireplace floor to the chimney top must not exceed 35' (10.6m).

Total system height supported only by the fireplace must not exceed 30'.

Minimum System Height

Vertical Installation.....	15 feet (4.6 m)
One Offset	15 feet (4.6 m)
Two Offsets	15 feet (4.6 m)

Chimney penetrations at ceilings and the roof must be constructed to maintain 2" (51mm) clearance between the chimney and the framing material. Figures 14 & 15.

Use the chimney manufacturer's chimney supports at the following locations See Figures 15 & 16:

- At floor/ceiling passthroughs over 30' above the fireplace.
- At each upper elbow.
- At each 6' of an offset run.

A manufacturer's firestop spacer must be installed in each ceiling opening. Figures 15 & 16.

	Majestic CF11	Heatlator SL40	Marco 10D	Superior 10D	Martin L Series
6"	NA	SL 406	NA	NA	NA
12"	11 CF1	SL 412	12-10D	TF10-12	L12
18"	11 CF18	SL 418	18 -10D	TF10-18C TF10-18	L18
24"	NA	NA	NA	NA	NA
36"	11 CF3	SL 436	36 -10D	TF10-36C TF10-36	L36
48"	11 CF4	SL 448	NA	NA	L48
30' Elbow	11 CF30-2	SL 430	36E-10D 15E -10D	TF10-30 TF10-E30	LE 30
Flashing	8-6-12 8-12-12	RF 570 RF 571	12F 10D SC 10D 6F 10D	10 F6 10 F12 10 SC	612 1212 LCLF
Chimney Cap	RT 11 RTL 11	RT 492 RT 494 RT 475 RT 476	RTL -10	TF 10-CTDTM TF 10-CT1	LC LCL
Chimney Support	11 CS	SL 4	12CPS-10D	10-S4	LCS
Firestop Spacer	FS 2A FS 6A 30'	FS 538 FS 540	FS 10D FS 30-10	10 FS-2 10 FS30-2	LF-FS-2 LF-FS-30
Chase Top	TT 11	CT 56	TST-10D	TF 10-CT2RS	NA
Cold Climate Kit	NA	NA	CCK 10	TF 10-CCEK TF 10-CDK	NA

Table 1. Approved chimney systems. See Appendix 1 for approved high temperature chimney systems

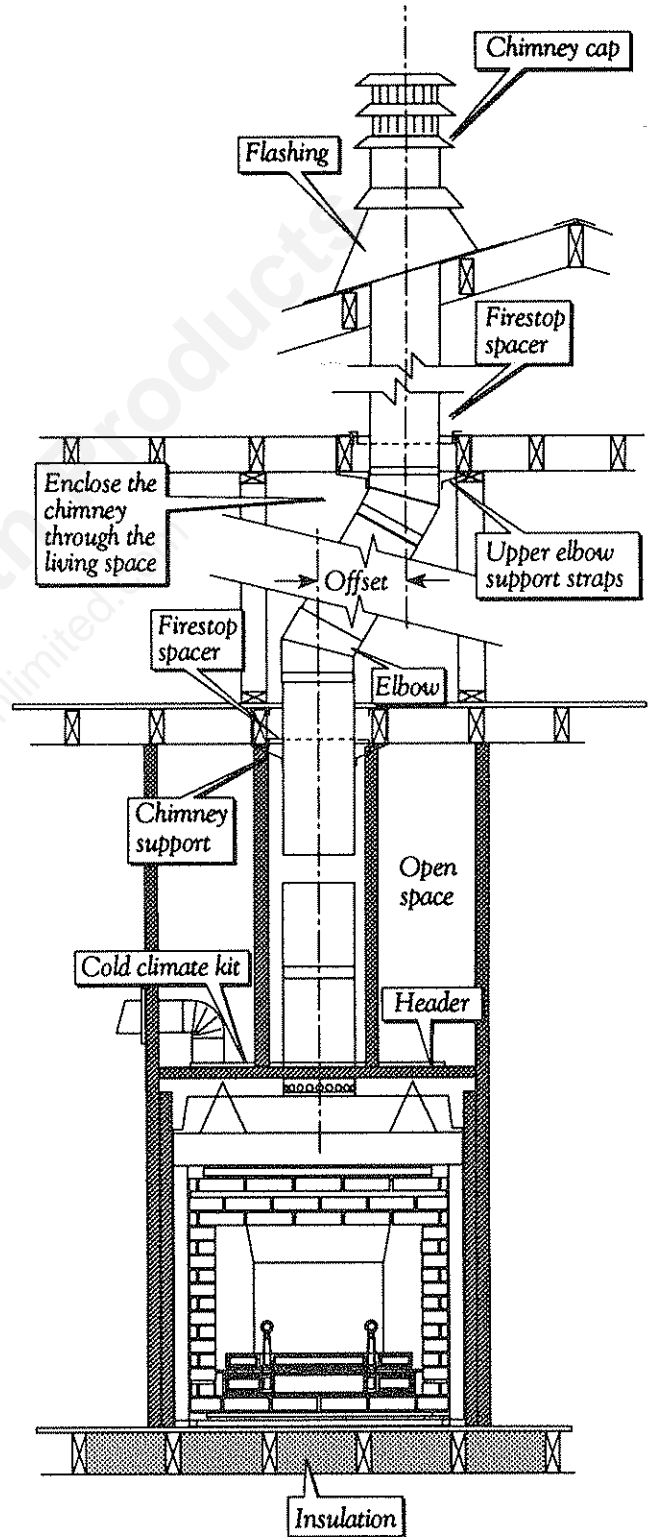
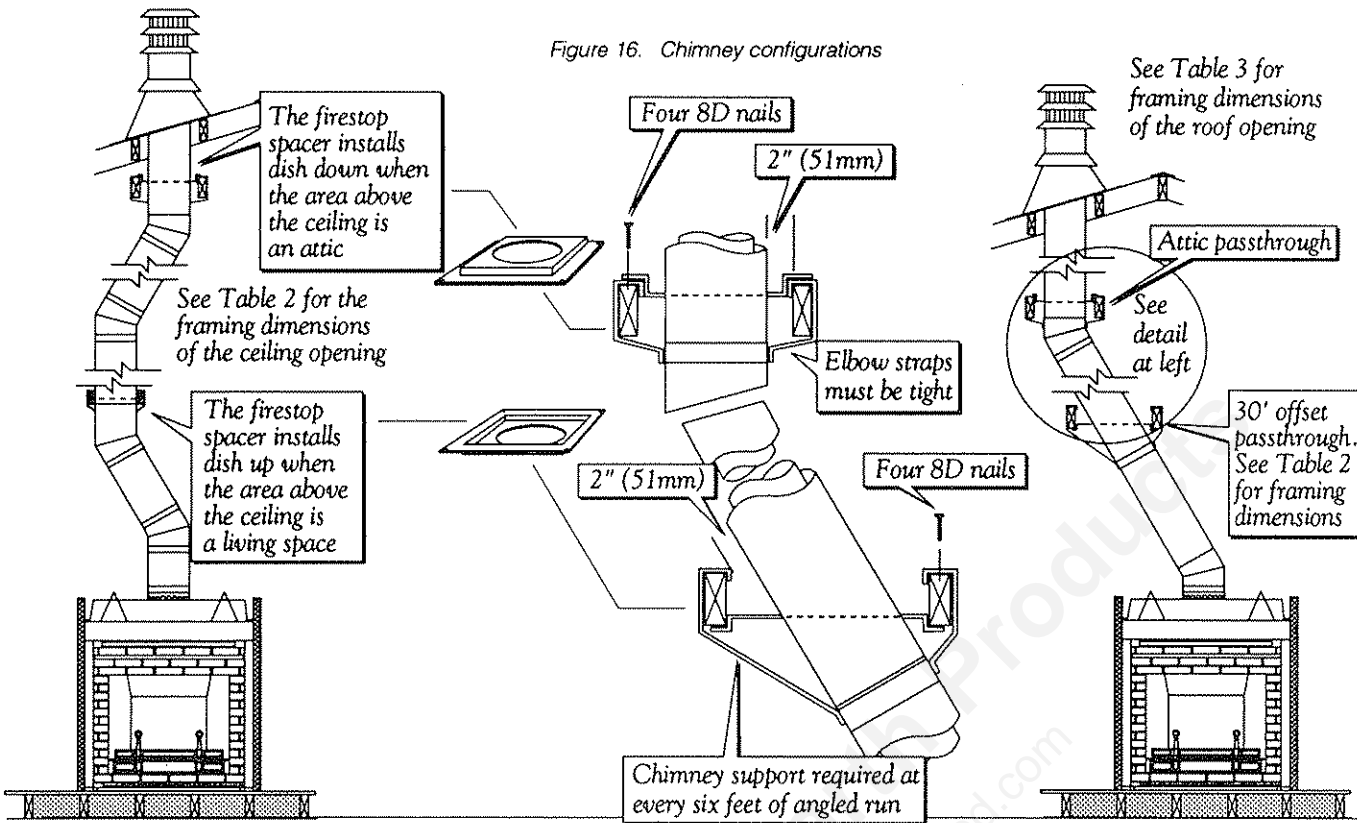


Figure 15. Chimney system parts.

Figure 16. Chimney configurations



CEILING/ROOF PENETRATION

Use Tables 2 and 3 to determine the framing dimensions required to maintain approved clearances with the appropriate chimney components. See also Table

A2 on page 23 of the Appendix for dimensions relevant to high temperature chimney systems approved for use in the U.S. and Canada.

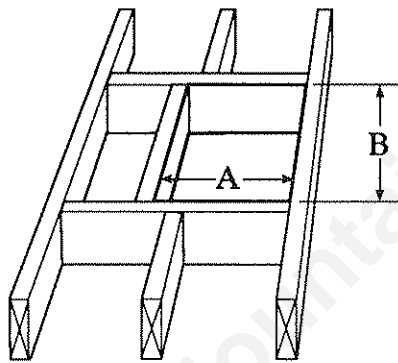


Figure 17. Ceiling framing.

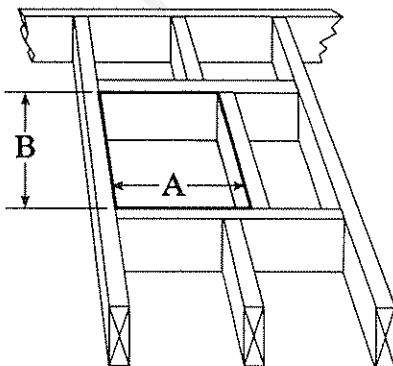


Figure 18. Roof framing.

Table 2. Framing dimensions/ceiling penetration

		Vertical	Offset
Heatlator SL40	A	17" 432 mm	17" 432 mm
	B	17" 432 mm	18 3/4" 476 mm
Majestic CF11	A	17 1/2" 445 mm	17 1/2" 445 mm
	B	17 1/2" 445 mm	*see footnote
Marco 10D	A	19 1/2" 495 mm	19 1/2" 495 mm
	B	19 1/2" 495 mm	22" 559 mm
Martin L Series	A	17" 432 mm	17" 432 mm
	B	17" 432 mm	18 3/4" 476 mm
Superior 10D	A	19" 483 mm	19" 483 mm
	B	17" 432 mm	22" 559 mm

Table 3. Framing dimensions/roof penetration

		Pitch		
		0 / 12	6 / 12	12 / 12
Heatlator SL40	A	17" 432 mm	17" 432 mm	17" 432 mm
	B	17" 432 mm	18 3/4" 476 mm	23" 584 mm
Majestic CF11	A	17 1/2" 445 mm	17 1/2" 445 mm	17 1/2" 445 mm
	B	17 1/2" 445 mm	* See footnote.	
Marco 10D	A	19 1/2" 495 mm	19 1/2" 495 mm	19 1/2" 495 mm
	B	19 1/2" 495 mm	22" 559 mm	27 3/4" 705 mm
Martin L Series	A	17" 432 mm	17" 432 mm	17" 432 mm
	B	17" 432 mm	18 3/4" 476 mm	23" 584 mm
Superior 10D	A	19" 483 mm	19" 483 mm	19" 483 mm
	B	17" 432 mm	22" 559 mm	27" 686 mm

* See manufacturer's instructions.

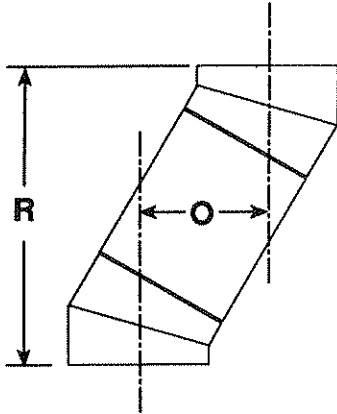


Figure 19. Chimney offset.

	MAJESTIC CF11		HEATILATOR SL40		MARCO 10D		SUPERIOR 10D		MARTIN L SERIES	
	Offset O	Rise R	Offset O	Rise R	Offset O	Rise R	Offset O	Rise R	Offset O	Rise R
ELBOW ONLY	3" 76MM	11" 280MM	3 7/8" 96MM	14 7/8" 378MM	5 1/4" 133MM	19 1/4" 489MM	4" 102MM	15" 381MM	4 1/2" 114MM	17" 432MM
CHIMNEY	<i>Add to Elbows</i>									
6"	NA	NA	6 1/4" MM	18 3/4" MM	NA	NA	NA	NA	NA	NA
12"	8 1/4" 210MM	20" 508MM	9 1/4" 236MM	23 3/4" 603MM	10 1/2" 267MM	28 3/4" 730MM	9 1/4" 236MM	24" 610MM	10" 254MM	26 1/2" 673MM
18"	11 1/4" 286MM	25 1/4" 641MM	12 1/4" 311MM	28 7/8" 736MM	13 1/2" 343MM	33 3/4" 867MM	12 1/4" 311MM	29 1/4" 743MM	13" 330MM	31 3/4" 806MM
24"	NA	NA	NA	NA	NA	NA	NA	NA	NA	NA
36"	20 1/4" 514MM	40 3/4" 1035MM	21 1/4" 540MM	44 3/4" 1132MM	22 1/2" 572MM	49 1/2" 1257MM	21 1/4" 540MM	45" 1143MM	22" 559MM	47 1/4" 1200MM
48"	28 1/4" 687MM	51 1/4" 1302MM	27 1/4" 692MM	55 3/4" 1416MM	28 1/2" 724MM	59 3/4" 1518MM	NA	NA	28" 710MM	57 3/4" MM
FLUE SUPPORT	0	2 1/2" 64MM	0	3 1/2" 89MM	0	10 3/4" 273MM	0	2 1/2" 64MM	0	9 3/4" 235MM

Table 4. Chimney offset dimensions. The manufacturers' specifications are subject to change without notice.

ELBOW/OFFSET

Elbows are used to gain required clearance to combustible materials or to provide an offset to clear obstructions. Each offset requires an elbow to return the chimney to a vertical plane. Use Figure 19 and Table 4 to determine the vertical (*rise*) and lateral (*offset*) lengths of the manufacturer's listed chimney parts. See also Table A3, on page 24 of the Appendix for dimensions relevant to high-temperature chimney systems approved for use in the U.S. and Canada.

Use these guidelines in determining the chimney system installation requirements:

- An elbow may be used as the first section.**
- Do not use more than four elbows in any one chimney system.**
- Maximum offset from vertical: 30'**
- Maximum offset run of the entire chimney: 20'**
- A chimney support must be installed every 6' of offset run.**
- The upper elbow of each offset must be secured to framing members by a chimney support or elbow straps.**

CHIMNEY TERMINATION

Most building codes have adopted the **3 1/2'/10' Rule** which specifies the minimum height that a chimney must penetrate a roof. See Figure 20. The rule states that a chimney must be the greater of:

1. At least 3 feet (916 mm) higher than the highest part of the roof opening through which it passes,
2. or at least 2 feet (610 mm) higher than any part of the roof within 10 feet (3 m), measured horizontally.

These specifications address safety issues and do not necessarily prevent performance problems. Site-specific conditions (trees, buildings, wind, etc.) may require increasing chimney height to improve fireplace operation.

Install all chimney termination parts supplied by the manufacturer according to the manufacturer's instructions. These include flashing, storm collars, special supports, bracing or shields.

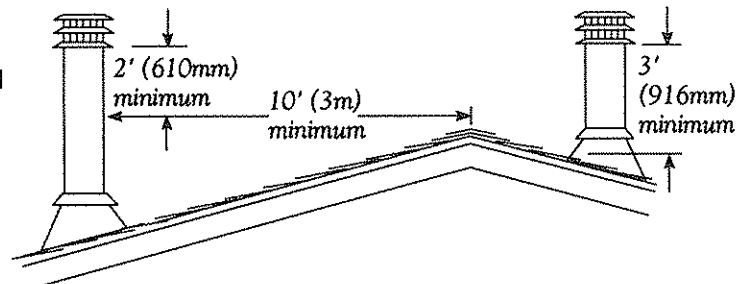


Figure 20. 3 1/2'/10' Chimney termination rule.

Installation Procedures

PROCEDURE STEPS

You may position the fireplace first and build the framing around it, or construct the framing first and install the fireplace within it. In either case, **do not install the front framing header until after the fireplace is in the final position.**

The following outline represents a normal sequence of installation steps. Each installation is unique, however, and individual site characteristics may require a different order.

1. Position the fireplace prior to framing or position it into the existing framing.
2. This is the point at which to install the optional Outside Air Kit 3274. Note: if frame construction limits access, you may wish to connect the duct to the fireplace cabinet *before* the fireplace is positioned.
3. Field wire the main power supply to the fireplace for the optional Fan Kit #3275. **Only a licensed electrician should do the electrical work.**
4. Plumb a gas line if a decorative gas appliance will be used. **Only a licensed gas technician should make the gas connections.**
5. Install the chimney system.
6. Complete the framing as necessary.
7. Construct the finish wall, surround, mantel and hearth extension.
8. Install the optional door enclosure.

SECURE THE FIREPLACE IN POSITION

Step 1. Bend each of the four sidewall nailing flanges away from the fireplace cabinet.

Step 2. Slide the fireplace into the prepared framing or into its final position and frame around it.

Step 3. Place the two steel safety strips provided beneath the fireplace front. Figure 21. The strips should overlap and be positioned to extend to the front and sides of the fireplace. Nail or screw the strips into place. Safety strips are not necessary if the fireplace is installed on a concrete slab or other non combustible floor.

Step 4. Complete the framing. Refer to Figures 5, 6, 7 and 8 for the appropriate framing details and dimensions.

The header may be installed directly on the top spacers of the fireplace. **Do not move or modify the spacers in any manner. Do not notch the header to fit below the top of the spacers.**

NOTE: The unit is designed to accommodate a 2 x 6 header. If you are using Marco or Superior pipes, the header must not be larger than 2x4.

Step 5. Use 8D nails to secure the fireplace to the framing through the sidewall nailing flanges. Figure 21.

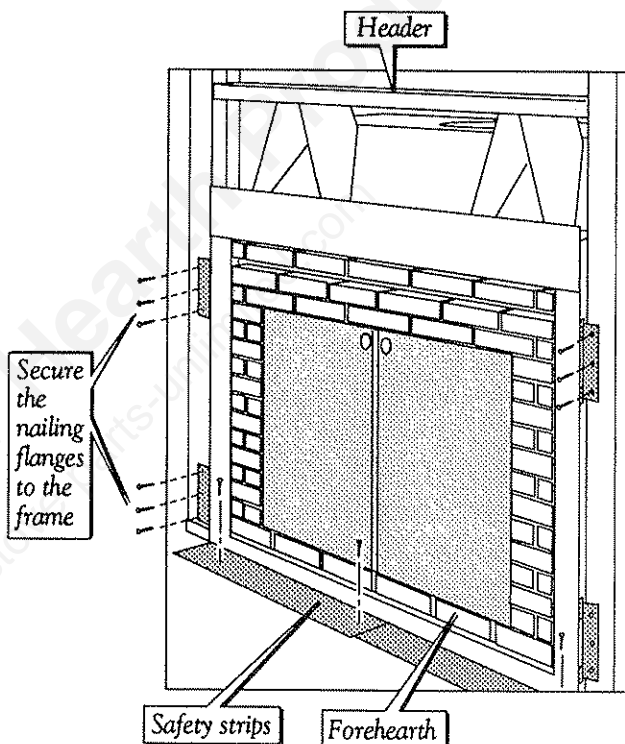


Figure 21. Secure each nailing flange to a frame member.

INSTALL THE OUTSIDE AIR KIT

The fireplace contains a firebox air inlet and shutter mechanism on the left side to which the optional Outside Air Kit #3274 can be connected. The kit directs combustion air from outdoors to the firechamber. Install it according to the instructions supplied with the kit.

INSTALL THE FAN KIT

The fan requires connection to a 110 volt grounded house circuit. Install the wiring prior to enclosing the framing.

Step 1. Remove the cable clamp from the right side of the fireplace cabinet and install it on the house current cable. Figure 24.

Step 2. Using wire nuts, connect the house leads to the matching fireplace leads (black to black, white to white, green to ground).

Step 3. Push the connections into the junction box and reinstall the cable clamp on the fireplace cabinet.

Refer to the instructions supplied with the fan kit #3275 for complete installation procedures.

CAUTION: only a qualified, licensed electrician should perform electrical connections. Main power must be off when you connect the fans to the main power supply or when you perform service.

INSTALL GAS SUPPLY

If appropriate, plumb the main gas supply line to the fireplace before the framing is complete and the finish wall enclosed. There are gas line knockouts on both sides of the fireplace cabinet. You will need a hammer, a screwdriver and a set of pliers. Follow this procedure:

- 1) Use a hammer to knock the appropriate left or right knockout from the side of the fireplace cabinet. Figure 22. You may do this either while the unit is intact, or after having removed the plate.
- 2) Fold and install the gas line conduit plate as shown in Figures 23 and 24. Fold back the inside flaps after the conduit is through the inner cabinet wall.

CAUTION: Only a qualified licensed gas technician should make the gas connections. The main gas supply must be off when plumbing the gas line to the fireplace or when performing service work.

Always plumb gas lines according to the local codes. There must be a main gas shutoff valve outside of the fireplace in a wall or floor. Only ANSI Z 21.60 tested and listed decorative gas fireplace logs are acceptable for installation in the fireplace. Before installing the logs, remove the log retainers and store them in a safe place for possible future use.

CAUTION: When using a decorative gas appliance, the fireplace damper must be set in the fully open position.

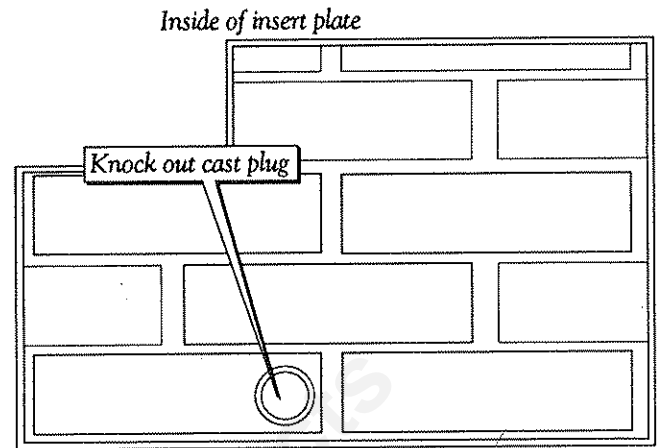


Figure 22. Hit the insert plate with a hammer at the knockout plug.

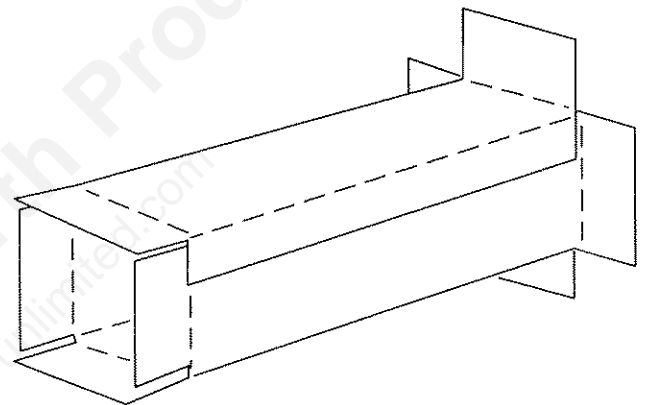


Figure 23. Fold gas conduit plate to form a tube.

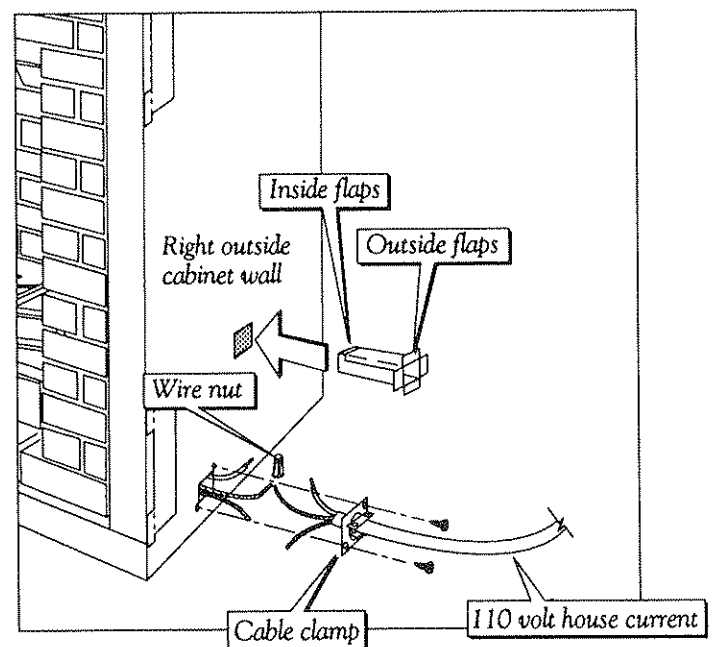


Figure 24. Power connection and gas conduit installation.

INSTALL THE CHIMNEY SYSTEM

Carefully inspect each chimney section for damage before assembly. Do not use components that show signs of damage. Carefully measure and plan the chimney installation before assembly. The interlocking chimney sections can become damaged if disassembled.

Step 1. Use a plumb bob to determine the centerline of the chimney and any openings that need to be cut into the ceiling or roof. See Figures 5-8, Tables 2 & 3 and Appendix A.

Consult Table 4 and Appendix A to determine the offset dimensions of the chimney system you are using.

CAUTION: Allow a minimum 2" (51mm) air space between the chimney and combustible framing members .

Step 2. Cover the flue opening of the fireplace. Cut out the opening where the chimney will pass through the ceiling.

Step 3. Frame in the hole to the inside dimensions as specified in Tables 2, 3 and A2 and Appendix A for the appropriate chimney parts. Use framing material of the same dimensions as the surrounding joists.

Step 4. Install the appropriate manufacturer's firestop spacer (straight or angled) in the flue opening. **A firestop spacer must be installed at each ceiling opening.** Figure 16. If there is a living space above the opening, install the spacer on the *bottom* side of the ceiling. If there is an attic above the opening, install the spacer on the *top* side of the ceiling.

A firestop spacer is not required at the roof opening.

Step 5. Use the inner and outer chimney adaptors and L brackets to secure the chimney to the fireplace. See Figure 25. **NOTE:** Insulated chimney manufacturers supply their own anchor plates. Do not use the adaptors supplied with the fireplace.

Connect the inner chimney adaptor to the first inner pipe section. The inner adaptor is adjustable to 10" or 11" inner chimney pipe. Place the chimney pipe on a bench and wrap the adaptor, rim down, around the lower end. Figure 26. Secure it in place with a #10 TEK screw (from the hardware bag) at the appropriate pilot hole and then secure three more TEK screws at equal distances around the inner pipe.

Attach 4 L brackets to the bottom rim of the adaptor at the pilot holes. Figure 26.

Step 6. Set the inner chimney pipe assembly into position **over** the flue opening and secure the brackets to the top of the cabinet with TEK screws. You may apply a bead of high temperature silicone caulk to the outer adaptor. Figure 27.

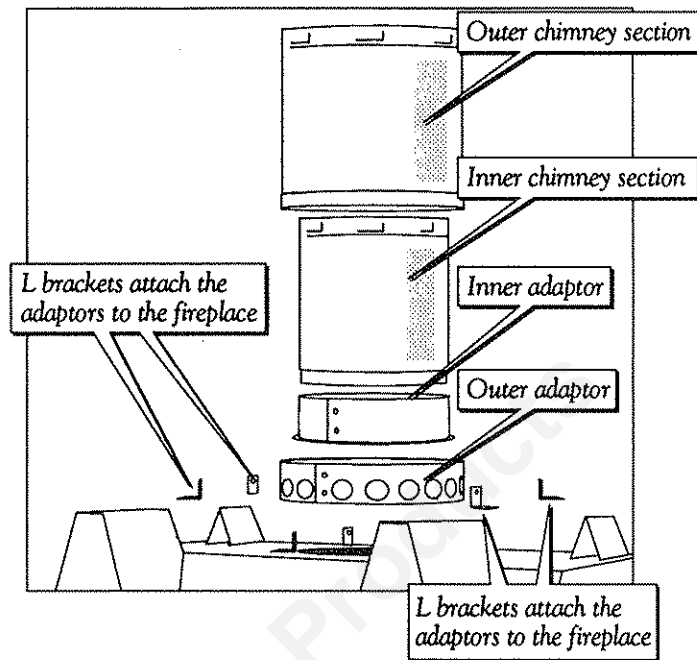


Figure 25. Inner and outer chimney adaptor orientation.

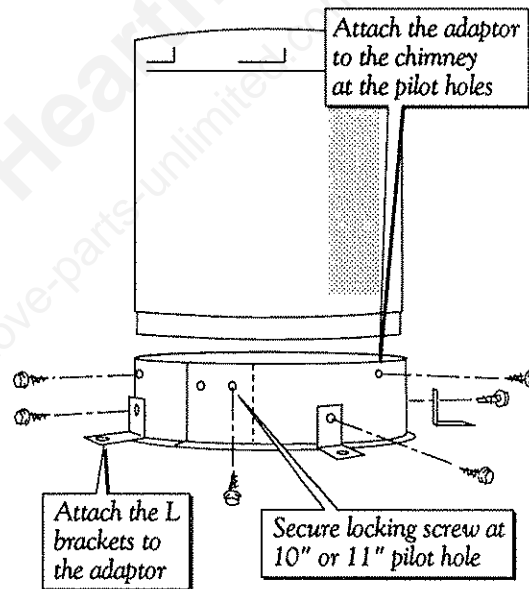


Figure 26. Attach inner adaptor and brackets to chimney pipe.

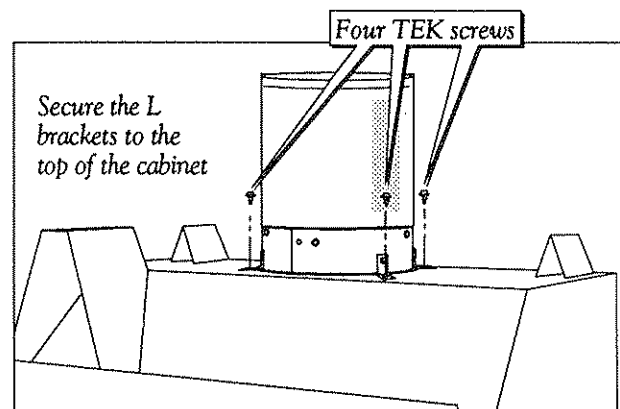


Figure 27. Attach inner chimney assembly to the fireplace.

Step 7. The outer chimney adaptor adjusts to 13" -16" diameter chimney pipe. Adjust it to the diameter of the chimney section and secure in position with a TEK screw at the appropriate pilot hole. Permanently secure the adaptor to the chimney with four TEK screws. Figure 28.

Attach four L brackets to the bottom of the adaptor with four TEK screws at the pilot holes as you did previously with the inner adaptor.

Step 8. Set the outer chimney pipe with adaptor into position over the inner pipe sections and secure it to the top of the cabinet with TEK screws.

Step 9. Where applicable, install the manufacturer's cold climate hood onto the fireplace cabinet. Follow the manufacturer's instructions.

Step 10. Assemble each subsequent chimney section as illustrated in Figures 29 and 30.

Most pipe sections join together by interlocking tabs and hems. Start with the inner section and follow with the outer, section by section. Check the integrity of each joint by pulling up on the upper section. A proper connection will not come apart.

Step 11. Install the manufacturer's chimney supports as needed. Figure 31. Chimney supports should be secured to the chimney and adjacent framing at the following locations:

- At floor/ceiling passthroughs more than 30' above the hearth.
- At each upper elbow.
- At every 6' of an offset run.

Step 12. Cut and frame the roof opening. Refer to Table 3 for the framing dimensions appropriate for the brand of chimney you are using. Use lumber of the same size as the roof rafters. Maintain a minimum 2" (51mm) clearance between the chimney and framing/roof materials. **Do not** insulate the air space surrounding the chimney.

Step 13. Determine the height of the chimney above the roof. Figure 21 illustrates the 3/2/10 rule. The rule specifies that the chimney top must be at least 3' higher than the highest point where it passes through the roof, *and* must be at least 2' higher than any point on the roof that is within 10' of the chimney as measured horizontally.

Step 14. Install the final chimney sections, roof flashing, storm collar and termination cap as specified by the chimney system manufacturer. Install a chase cap as specified by the manufacturer.

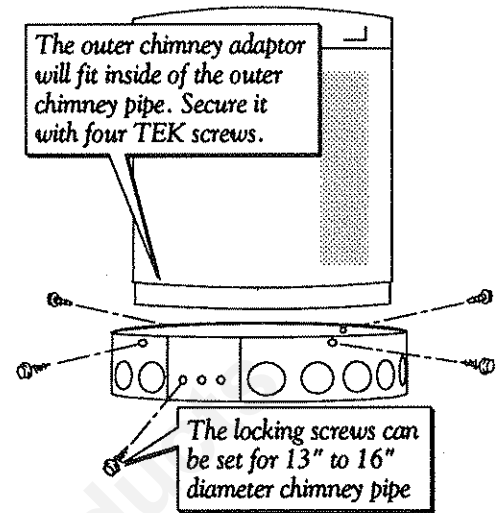


Figure 28. Attach outer adaptor to outer chimney.

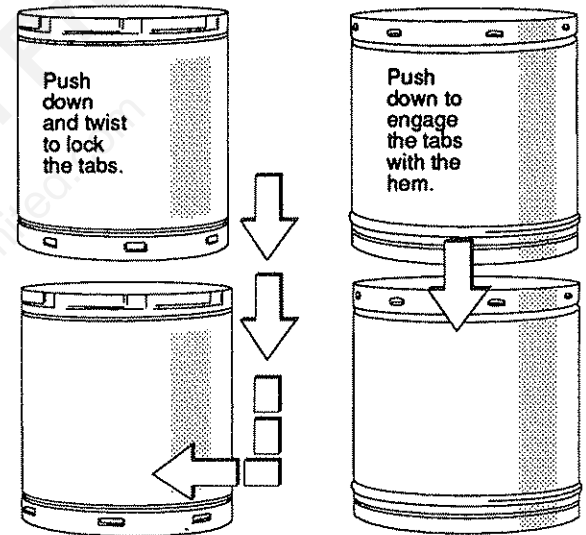


Figure 29. Twist-lock chimney joint.

Figure 30. Tab/Hem chimney joint.

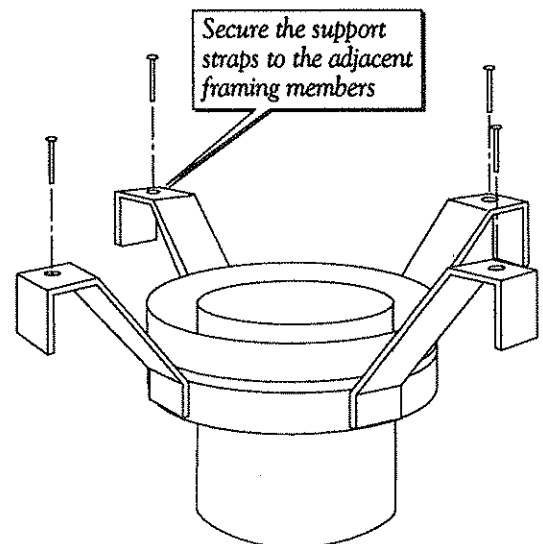


Figure 31. Chimney support

SEAL AND INSULATE THE FIREPLACE

In cold climates, seal all cracks and seams around the fireplace opening and face with a non combustible caulk like silicone in order to prevent cold air infiltration.

Insulate the chase construction as you would do with any exterior wall.

Insulate under the floor if it is above the ground.

Insulate any outside air ductwork to minimize condensation.

Be sure to maintain 2" (51mm) open air space around the chimney parts. Insulation materials must not contact the fireplace cabinet.

INSTALL THE HEARTH EXTENSION

Construct the hearth using the dimensions and materials as specified in hearth requirements on Page 5 of this manual. Figures 9 and 10. The hearth must be secured to the floor to prevent possible shifting.

CAUTION: Do not block the lower fireplace air inlet unless you also block the top one.

ENCLOSE FRAMING AND FINISH FACE WALL

In most cases, the finished face wall will be flush with the front face of the fireplace as in Figure 11. This alignment eases the installation of decorative surround materials. Be sure to seal the joint between the fireplace face and finish wall with a non combustible caulk.

INSTALL MANTEL AND TRIM

Install a combustible mantel and side trim maintaining clearances as specified in Figures 12-14.

Note that you may install combustible trim materials up to 2" thick to the side and top of the fireplace opening as shown in Figure 12 on page 6.

You may install non combustible materials directly over the steel fireplace face without restriction. The mantel or trim may extend over the brick facing by only 1/4" to obscure the brick/sheet metal interface only if it is spaced 1/4" proud of the brick surface, as shown in Figure 13 on page 7.

For cosmetic reasons you may wish to use the Seam Touchup Kit supplied with the fireplace to mask the joints between the cast iron brick sections. Figure 32. Each kit contains a small tube of high temperature caulk and a container of red fireplace paint. Apply an even bead of the caulk to the joints and allow it to cure for an hour before you paint it. Larger quantities of both the red fireplace paint (#0009) and the black overspray paint (#0086) are available from your dealer.

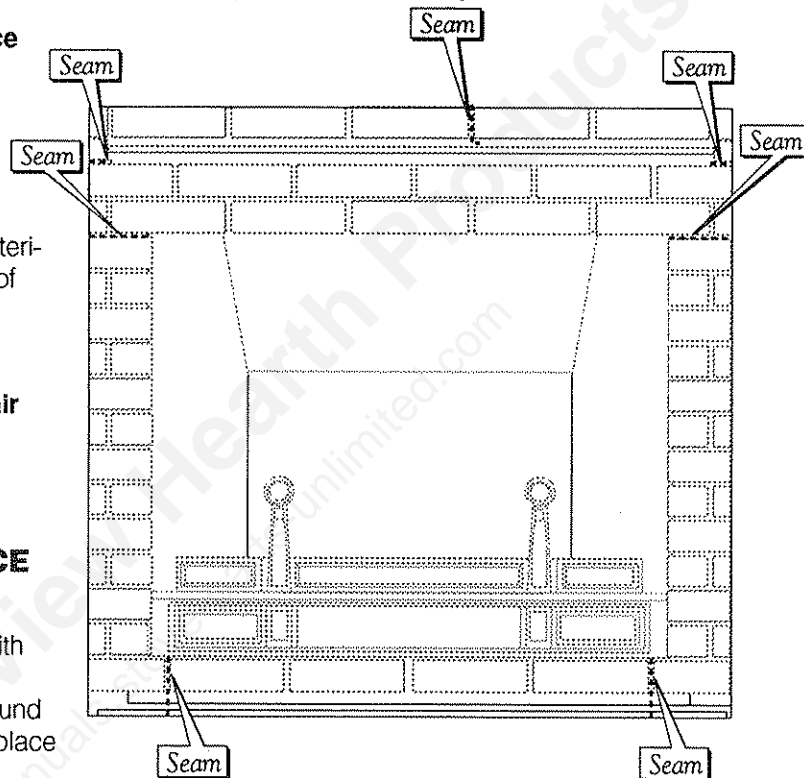


Figure 32. Fireplace seams

Operation

THE CHIMNEY DAMPER

The damper is designed to seal off the chimney to prevent heat loss from the house when the fireplace is not in use.

The damper should be in the open position prior to starting a fire. Do not close the damper until the fire is completely extinguished.

The damper operates by means of the cast iron lever located on the upper left side of the fireplace interior. Figure 33.

To open, pull the handle towards you.

To close, push the handle away from you.

Be sure to push the handle all the way to the rear until you feel the damper lock into the closed position.

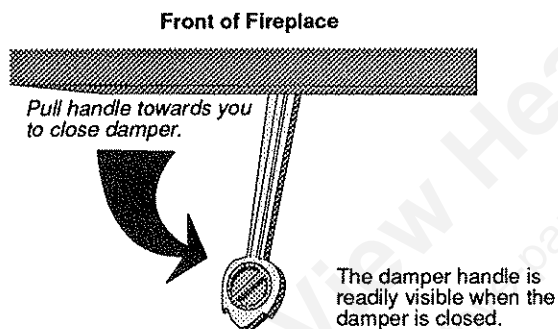


Figure 33. Damper operation.

OUTSIDE AIR INTAKE

Be sure to open the outside air intake, if installed, before starting the fire. The inlet valve will be open when the control handle is *fully down*. Figure 34.

To prevent cold air from infiltrating the house when the fireplace is not being used, close the valve by *raising* the control handle.

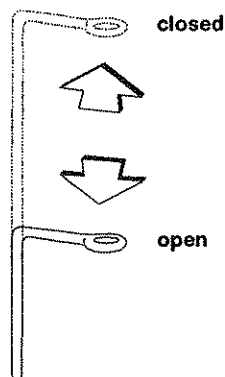


Figure 34. Outside air intake operation.

BREAK-IN FIRES

Cast iron is very strong, but can break with a sharp blow from a hammer or from the thermal shock of rapid and extreme temperature changes. It is important to temper the cast iron plates with an initial series of 3-4 break-in fires. This "seasoning" process allows the metal to adjust gradually to the thermal stress associated with extreme temperature change.

Follow the guidelines below.

STARTING AND MAINTAINING A WOOD FIRE

Burn only solid wood fuel in the fireplace, and burn it directly on the grate. Do not elevate the fuel. Do not burn coal or other fuels.

Do not use chemicals or fluids to start the fire. Do not burn garbage or flammable fluids such as gasoline, naphtha or engine oil.

Never use gasoline type lantern fuel, kerosene, charcoal lighter fluid or similar liquids to start or "freshen up" a fire.

Step 1. Open the fireplace damper.

Step 2. Place several sheets of crumpled newspaper in the fireplace. Place on the paper six or eight pieces of dry kindling split to a finger width size, and on the kindling lay two or three larger sticks of split dry wood approximately 1- 2" (25-50 mm) in diameter.

Step 3. Light the newspaper. Gradually build up the fire by adding a few 3-5" (80-120 mm) diameter splits.

For the first few break-in fires, let the fire burn brightly, and then die out. This will season the new cast iron. During break-in fires, use a moderate amount of fuel and keep the fire small. Some odor from the hot metal and paint is normal for the first few fires.

You may wish to open a window during this curing period.

After the break-in period, you may burn logs up to 24" in length.

ASHPAN

Tend your fire. You should never ignore a lively fire in your fireplace. Keep burning logs positioned behind the log retainers. Avoid building a fire so large that burning logs can spill forward of the log retainers. Figure 35.

WARNING: Keep burning logs contained behind the log retainers. Direct contact with flame can break the glass.

CAUTION: The fireplace will be hot while in operation. Keep children, clothing and furniture away. Contact may cause skin burns.

DO NOT overfire this fireplace. Overfiring can cause a house fire or result in permanent damage to the fireplace.

WARNING: Fireplaces equipped with bifold doors should be operated only with the doors fully open or fully closed. If left partly open these doors may draw gasses and flame out of the fireplace opening, creating both heat and smoke hazards.

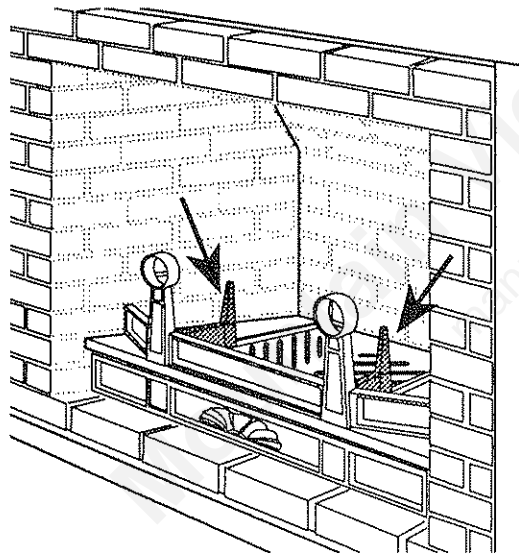


Figure 35. Keep logs behind the log retainers!

Wear stove gloves to protect your hands when removing ashes or refueling.

Check the level of ash in the ash pan before you add wood to the fire. Empty the pan when the ash level is close to the top edge of the pan.

To open the ash door, pivot it counterclockwise until the ash pan is exposed. Figure 36.

Slide the ashpan cover onto the ashpan and lift the assembly up out of the bracket.

Properly dispose of the ash in a metal container with a tight fitting lid, stored outdoors on a non combustible surface.

Before replacing the ashpan, clear away any ashes that may have spilled over the sides or back of the pan.

Return the ash pan to its bracket, slide the cover away from the ashpan and close the ash door.

Do not operate the fireplace with the ash door open.

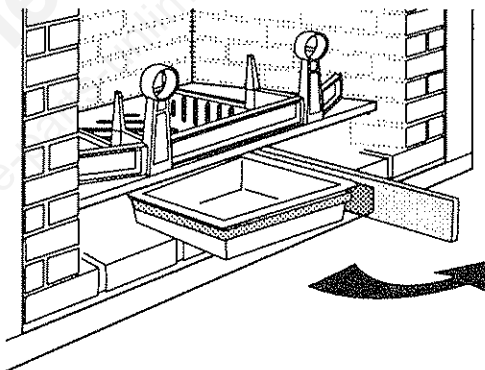


Figure 36. Ashpan removal.

Empty the ash pan regularly, typically every one to three fires. The more wood you burn, the more often you will need to empty the ashpan.

Ash removed from the fireplace should go outdoors into a metal container with a tight fitting lid. Place the closed container of ash on a noncombustible floor or on the ground, well away from all combustible materials, pending final disposal. If you bury the ash or otherwise disperse it locally, retain it in the closed container until all of the cinders have thoroughly cooled.

CAUTION: Never use your household or shop vacuum cleaner to remove ash from the stove. Always remove and dispose of the ash properly.

TROUBLESHOOTING

SMOKING

Many factors can influence the performance of the fireplace. Smoke problems are generally caused by weak or erratic chimney draft. These factors can affect the chimney draft:

1. Chimney height

The chimney may be too low to generate strong draft. Be sure the chimney is at least 15' high.

A chimney can also be too high, causing exhaust gases to cool and lose buoyancy. Be sure the chimney is no higher than 35' from the base of the fireface.

2. Indoor/Outdoor temperature differential

Smoking can occur when there is little difference between these temperatures, particularly in the spring and fall.

3. Site Characteristics

Indoor - Negative pressure can result from very tight building construction, household exhaust fans, air conditioning units, a furnace or any other heating appliance. Any of these can cause a flow reversal in the fireplace chimney.

Often you can improve the condition by opening a window slightly.

Outdoor - High winds, treelines, adjacent buildings and other structures can often contribute to erratic draft conditions.

4. Blockage

Be sure that the fireplace damper is fully open and that there is nothing blocking the chimney system.

Check the chimney cap screen to be certain it is clear. Soot or creosote can clog screens. Inspect the chimney system often and clean as necessary.

Maintenance

Under normal circumstances, the Vermont Castings Zero Clearance Fireplace will require little routine maintenance. Noticeable changes in the operation of the damper or ashdoor may call for inspecting and possibly tightening the attachment hardware. Instructions are given below. The chimney system should be inspected at least twice a year for a build up of creosote and cleaned if necessary.

Perform annual maintenance as outlined in the annual maintenance guidelines.

ROUTINE MAINTENANCE

Wear gloves and protective eyewear when working on the fireplace. Allow the fireplace to cool completely before beginning any maintenance.

DAMPER

Two hex head bolts and four stainless steel nuts secure the damper mechanism to the cabinet. If the operation of the damper handle becomes excessively loose, tighten each of them. You can reach them through the firebox. No disassembly is necessary.

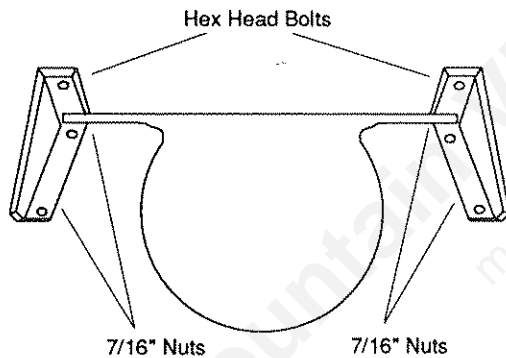


Figure 37. View looking upward toward rear of firebox. The damper is in the open position.

ASHES

A small amount of ash passing through the grate may fall to the bottom of the cabinet rather than into the ashpan. From time to time, check for a build up of ash

in the bottom of the cabinet and remove as necessary. **Do not ever use a vacuum cleaner to clean ashes!** Dispose of the ashes properly as described in the operation section.

ASHDOOR

Remove the fettle/andiron to gain access to the ashdoor. The ashdoor pivot is secured to the grate with one bolt. The ashdoor is attached to the ashpivot. Tighten this bolt if there is excessive play in the ashdoor as it opens and closes.

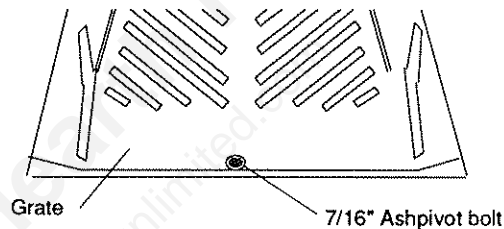


Figure 38. Ashdoor pivot.

CHIMNEY INSPECTION

When wood burns slowly, it produces tar and other organic vapors, which combine with expelled moisture to form creosote. In a slow burning fire the creosote vapors condense in the relatively cool flue. Resulting creosote residue accumulates on the flue lining. When it ignites this creosote makes an extremely hot fire.

The chimney system should be inspected at least twice a year during the heating season to determine if creosote has built up. If creosote has accumulated, it should be removed. This will reduce the risk of a chimney fire.

GLASS (ON OPTIONAL DOOR ENCLOSURES)

With continued use of the fireplace, a small amount of residue may build up on the glass. Let the fireplace and glass cool completely. Use warm water or a cleaner made especially for cleaning glass to remove the deposit. If a glass cleaner is used, follow the manufacturer's directions exactly. Do not use any abrasive cleaner or material. Be sure the glass is dry and clear of any cleaner before relighting the fire.

ANNUAL MAINTENANCE

Annual maintenance should include routine maintenance plus the following procedures which can best be done at the end of the heating season.

CLEAN THE CHIMNEY

Inspect and clean the complete chimney system. If you prefer to have it done professionally, your local dealer or local authorities may be able to direct you to qualified chimney sweep.

DISASSEMBLY PROCEDURE

Should the need arise, the cast iron parts of the fireplace are easily removed and reassembled. The lintel, side and rear plates simply hang from internal support rails. The upper lintel can be pulled away from the rod. The rod is held in place by means of two spring clips. Follow these procedures in order. Refer to the exploded view illustration on page 21 if necessary.

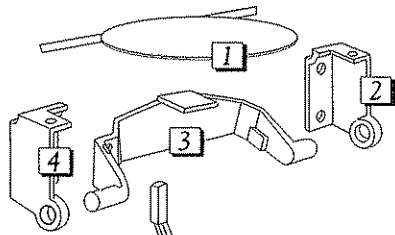
The bottom grate can be removed along with the andirons, fettle/andiron, ashpan and ash door all as a unit. The entire assembly is quite heavy. Be careful when lifting! Follow steps 1 and 2 to remove these components individually.

1. Remove the two 1/4-20 x1" flat head machine screws that secure the fettle/andiron to the bottom grate. Remove the fettle/andiron with log support rails.
2. Remove the ashpan. Lift the bottom grate out of the firebox. The ash door will come out with the grate.
3. Lift up the lintel assembly to disengage it from its hangers. Remove it.
4. Lift the bottom of the left and right inserts to disengage each of them from the adjacent side plates.
5. Remove the left and right side plates by lifting them from their respective hangers.
6. Lift and remove the forehearth.
7. Lift the rear insert to disengage it from the rear plate.
8. Lift and remove the rear plate.

ASSEMBLY PROCEDURE

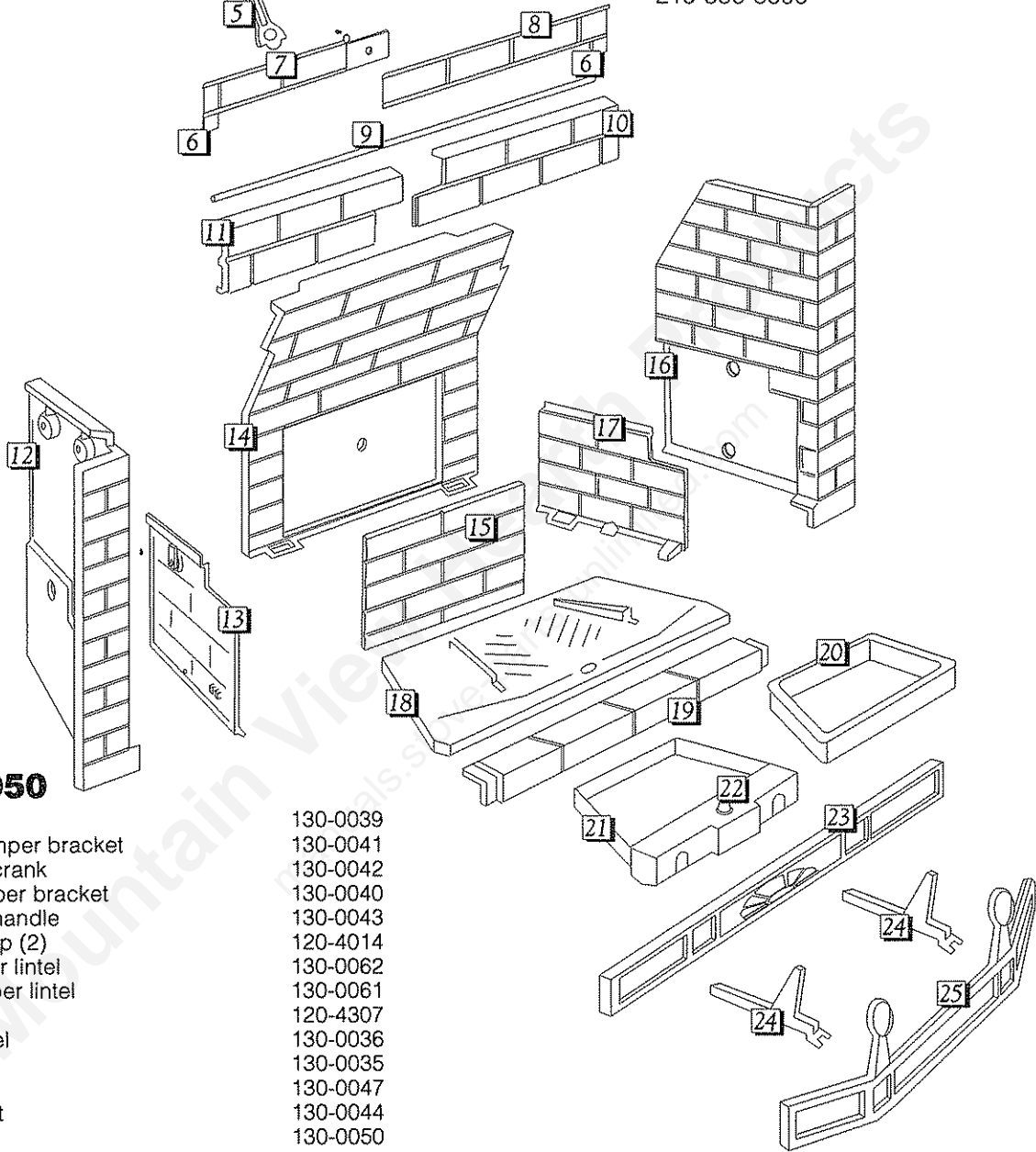
Reverse the disassembly procedure.

Parts List



For parts and information about your fireplace, contact your local Vermont Castings Authorized dealer or:

The Majestic Products Company
1000 E. Market Street
Huntington, IN 46750-2579
219-356-8000



MODEL 2050

1	Damper	130-0039
2	Right damper bracket	130-0041
3	Damper crank	130-0042
4	Left damper bracket	130-0040
5	Damper handle	130-0043
6	Spring clip (2)	120-4014
7	Left upper lintel	130-0062
8	Right upper lintel	130-0061
9	Rod	120-4307
10	Right lintel	130-0036
11	Left lintel	130-0035
12	Left side	130-0047
13	Left insert	130-0044
14	Fireback	130-0050
15	Fireback insert	130-0046
16	Right side	130-0048
17	Right insert	130-0045
18	Grate	130-0031
19	Forehearth	130-0038
20	Ashpan assembly	500-5746
21	Ashpan bracket	160-1039
22	Ashpivot	130-0034
23	Ashdoor	130-0033
24	Log retainer	130-0037
25	Fettle/andiron	130-0032

Optional Components

Outside air kit	000-3274
Fan kit	000-3275
Fireplace door enclosure, large	000-3276
Fireplace door enclosure, small	000-3277

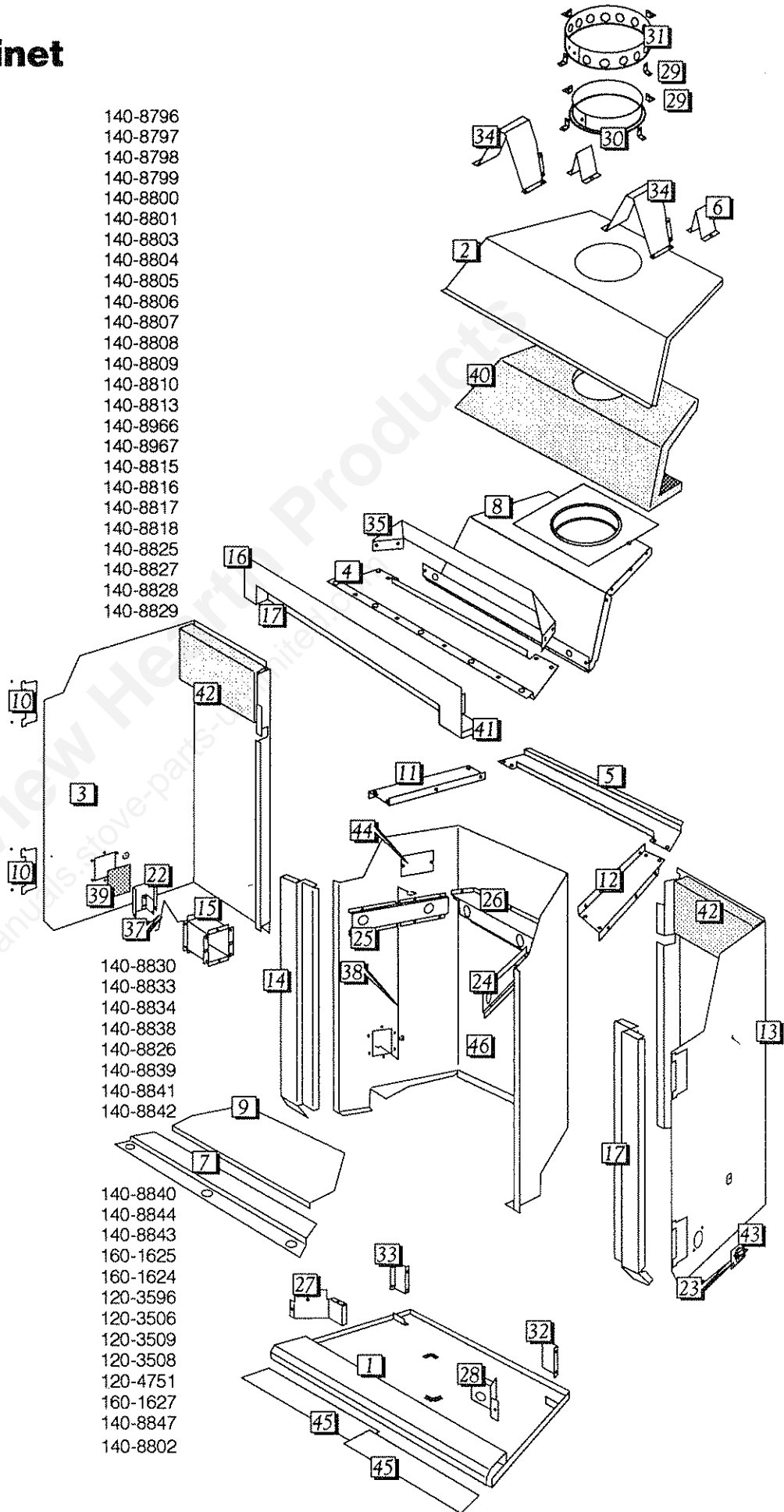
Parts List / Cabinet MODEL 2050

1	Cabinet bottom	140-8796
2	Cabinet top	140-8797
3	Left wrapper	140-8798
4	Upper baffle	140-8799
5	Lower baffle	140-8800
6	Top standoff	140-8801
7	Firebox bottom	140-8803
8	Firebox top	140-8804
9	Firebox floor	140-8805
10	Nailing flange (4)	140-8806
11	Left baffle	140-8807
12	Right baffle	140-8808
13	Right wrapper	140-8809
14	Left column	140-8810
15	Outside air duct	140-8813
16	Front shield	140-8966
17	Front shield enclosure	140-8967
18	Right column	140-8815
19	Left screen panel*	140-8816
20	Right screen panel*	140-8817
21	Screen latch *	140-8818
22	Outside air valve	140-8825
23	Fan wiring cover	140-8827
24	Right support	140-8828
25	Left support	140-8829

26	Fireback support	140-8830
27	Left Inlet baffle	140-8833
28	Right inlet baffle	140-8834
29	L bracket (8)	140-8838
30	Inner chimney adaptor	140-8826
31	Outer chimney adaptor	140-8839
32	Right foot	140-8841
33	Left foot	140-8842

34	Front standoff (2)	140-8840
35	Convection deflector	140-8844
36	Gas line conduit *	140-8843
37	Outside air valve pivot	160-1625
38	Actuator	160-1624
39	Outside air valve gasket	120-3596
40	Insulation, cabinet top	120-3506
41	Insulation, front	120-3509
42	Insulation, back	120-3508
43	Strain relief clamp	120-4751
44	UL safety label	160-1627
45	Safety strip (2)	140-8847
46	Firebox walls	140-8802

*not illustrated



Appendix A

High Temperature Chimney Systems

CHIMNEY SYSTEMS

The Model 2050 Fireplace is approved for installation and use in the U.S. and Canada with the manufactured listed chimney parts in Table A1 below. Use only one brand of chimney parts - do not mix parts from different manufacturers in a single installation.

Table A1. Approved chimney parts.

	U.S.	U.S.	CANADA	U.S. & CANADA
	Hart & Cooley TD 10"	Metal-Fab TG 10"	Seikirk Metalbestos SS 10"	Security ASHT 10"
6"	10TDP6	10TG-6	10S-3 10S-6	NA
9"	10TDP9	NA	10S-9	(8") 10L8
12"	NA	10TG-12	NA	10L1
18"	10TDP18	10TG-18	10S-18	10L18
24"	NA	10TG-24	NA	10L2
30"	10TDP30	NA	NA	NA
36"	NA	10TG-36	10S-36	10L3
48"	NA	10TG-48	NA	NA
15° Elbow	10TDEL	10TG-15	10S-EL 15	10E15
30° Elbow	NA	10TG-30	NA	10E30
Storm Collar	10TDS	10TGSC	10S-SC	NA
Flashing	10TDF 10TDTF	10TGF 10TGF15 10TGF10 10TGF24	10S-TF 10S-AF6 10S-AF12	10F 10FPA 10FA
Chimney Cap	10TDC	10TGC 10TGRC	10S-CT	10CC 10CPE 10CPR
Firestop Spacer	10TDFS	10TGSA	10S-WS	NA
Chase Top	NA	NA	NA	NA
Anchor Plate	10TDAP	10TGAP	10S-AP	10SP
Support Band	10TDSB	NA	NA	NA
Roof Support	10TDRS	10TGAS	10S-RSP	10ST
Wall Support	10TDSW	10TGWS	10S-WSK	10SM
Attic Insulation Shield	10TDIS	10TGIS	10S-AIS	10RSA
Offset Support	NA	NA	10S-IR	10SO

FRAMING DIMENSIONS

Use these dimensions to determine the framing dimensions required to maintain approved clearances with the appropriate chimney parts. See Figure A1.

Table A2. Framing dimensions.

		Vertical	Offset 15°	Offset 30°
Hart & Cooley TD10	A	16" 406 mm	•	•
	B	16" 406 mm	•	•
Metal-Fab TG10	A	17" 432 mm	•	•
	B	17" 432 mm	•	•
Metalbestos SS10	A	16" 406 mm	•	•
	B	16" 406 mm	•	•
Security 10ASHT	A	16-3/8" 416 mm	NA	17-9/16" 446 mm
	B	16-3/8" 416 mm	NA	45-3/4" 1162 mm

* Framing dimensions and installation instructions provided with chimney part. Be sure to maintain a 2" clearance to combustibles.

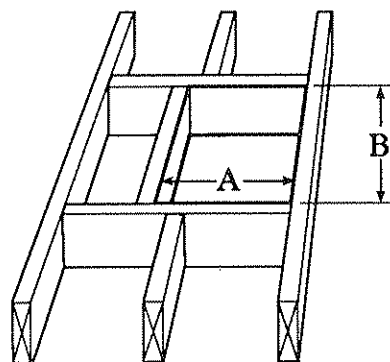


Figure A1. Framing dimensions.

Appendix A / continued

Table A3. Chimney offset dimensions. Manufacturer's specifications are subject to change without notice.

	Hart & Cooley TD 10		Metal-Fab TG 10		Metallbestos SS 10 (Two 15° elbows required)		Security ASHT 10	
	OFFSET O	RISE R	OFFSET O	RISE R	OFFSET O	RISE R	OFFSET O	RISE R
Elbow Only	-	-	5" (127 mm)	20-3/16" (513 mm)	3-21/32" (93 mm)	13-5/8" (346 mm)	-	-
Chimney	<i>Add to Elbow</i>							
3"			NA	NA	5-1/64" (131 mm)	16-1/4" (412 mm)	NA	NA
6"			7-1/4" (184 mm)	24-1/16" (611 mm)	6-21/32" (169 mm)	18-53/64" (478 mm)	NA	NA
8"			NA	NA	NA	NA	7-1/2" (190 mm)	20-3/4" (527 mm)
9"			NA	NA	8-5/32" (207 mm)	21-27/64" (544 mm)	NA	NA
12"			10-1/4" (260 mm)	29-1/4" (743 mm)	NA	NA	9-1/2" (241 mm)	24-1/4" (611 mm)
18"			13-1/4" (337 mm)	34-7/16" (875 mm)	12" (306 mm)	28-1/8" (715 mm)	12-1/2" (318 mm)	29-1/2" (749 mm)
24"			16-1/4" (413 mm)	39-5/8" (1006 mm)	NA	NA	15-1/2" (394 mm)	34-3/4" (883 mm)
30"			18-1/2" (470 mm)	43-1/2" (1105 mm)	NA	NA	NA	NA
36"			22-1/4" (565 mm)	50-1/16" (1272 mm)	21-5/16" (541 mm)	44-1/4" (1123 mm)	21-1/2" (546 mm)	45" (1143 mm)
* Offset and rise information not available. See manufacturer's instructions.								

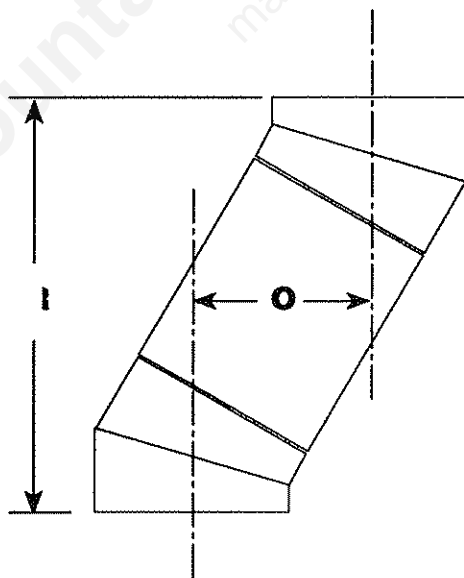


Figure A2. Vertical rise/offset run.

Vermont Castings, Inc.

25 Year Limited Warranty

for Vermont Castings Zero Clearance Wood Fireplace Model 2050

This warranty begins on the date that the Vermont Castings Zero Clearance Wood Fireplace Model 2050 ("ZC Fireplace") is installed and applies only to the original purchaser of the ZC Fireplace or to the original owner of the dwelling when the ZC Fireplace is installed in a new dwelling (in either case, the "consumer"). This warranty may not be transferred.

Vermont Castings, Inc. ("VCI") warrants that its ZC Fireplace will be free of defects in materials and workmanship at the time of manufacture. If the ZC Fireplace covered by this warranty is found to be defective by an authorized VCI representative, VCI will, at its option, provide such replacement or repair components to cure any defect in accordance with the following General and Specific Warranties and Specific Conditions and Limitations as listed below:

General Warranty - covers all parts except those listed under the Specific Warranty

During the first five years of the warranty, VCI will, at its option, repair or replace any defective parts without charge for materials or shipping, and will pay a reasonable amount for labor. If repair or replacement is not commercially practicable, VCI will make available to the consumer at VCI's factory, a replacement for any defective part without charge for the part itself or in the alternative will pay to the consumer the amount equal to the then factory list price of that defective part. The consumer must pay for all other costs.

Thereafter through twenty-fifth year of the warranty, VCI will make available to the consumer, at VCI's factory, a replacement for any defective part at a cost to the consumer of the factory list price or, in the alternative, will pay to the consumer the amount equal to the factory list price of that defective part. The consumer must pay for all other costs.

Specific Warranty - covers all parts listed specifically below.

A. Painted Surfaces. VCI guarantees all painted surfaces to be free from defects in materials and workmanship at the time the fireplace is manufactured. VCI offers no warranty beyond this.

Inspect your ZC Fireplace prior to accepting it for any damage to the painted surfaces. Once delivery has been accepted, VCI assumes no further responsibility for painted surfaces.

B. Cast Iron Firebox Components. For a period of three years from installation, VCI will, at its option, repair or replace any defective part without charge. Warranty does not cover hairline cracks that do not affect the safety of the product.

C. Glass Doors. For a period of 90 days from installation, VCI will, at its option, repair or replace any defective part without charge. Damage incurred during or subsequent to installation which was not caused by a manufacturing defect is not covered nor is glass breakage at any time.

D. Fireplace Screens, Fans, Outside Air Components, Electrical Components and Ash Pan. For a period of one year from installation, VCI will, at its option, repair or replace any defective part without charge for the part itself. The consumer must pay for all costs other than the part.

Specific Conditions and Limitations

A. Warranty coverage applies only to a ZC Fireplace which is installed in the United States or Canada; and only if such installation is performed or repaired in accordance with the instructions detailed in VCI's ZC Fireplace owner's guide ("Owner's Guide") and local building codes; and only if the ZC Fireplace is operated at all times under normal conditions, use and service, according to the operating instructions provided in the Owner's Guide; and only if the ZC Fireplace is not removed from its original installation. VCI assumes no liability for damages that result from improper installation, repair or operation of the ZC Fireplace.

B. VCI assumes no responsibility for performance problems or related damage, including but not limited to smoke damage, that are due to inadequate ventilation, inadequate draft due to environmental, geographic or climatic conditions (such as wind currents, surrounding trees or hills, nearby structures or roof peaks), tightly sealed construction of the home, negative air pressure, excessive air currents in the room or mechanical devices (such as exhaust fans, forced air furnaces, air conditioners or clothes dryers).

C. Warranty coverage applies only if natural wood is used as a fuel. The use of synthetic logs, logs made from pressed wood fibers or wood that has been treated with binders, coal, driftwood or any other wood or fuel other than natural wood will void this warranty except as noted in **D** below.

D. Installation of any other heat generating appliance within the ZC Fireplace, except a decorative gas log set tested and listed to ANSI Z21.60 standards, or a product specifically approved by an officer of VCI in writing, will void this warranty.

E. The warranty does not cover the cost or expense involved in any damage to, or removal or replacement of any portion of, the structure in which the fireplace is installed.

F. The sole and exclusive remedy to the consumer for the breach by Vermont Castings of any warranties hereunder shall be for the repair, replacement or provision of a replacement part at Vermont Castings' then current factory list price, F.O.B. Vermont Castings' factory, for any defective part in the manner specified above, or the payment to the consumer of of such defective part.

G. Except as otherwise expressly specified above, none of these warranties covers, and Vermont Castings shall not be responsible for any construction, installation, labor, transportation or other costs or expenses arising from a defective part, its repair or replacement or otherwise, nor shall Vermont Castings in any event be responsible for any indirect, incidental or consequential damages except to the extent required by law. Some states do not allow the exclusion or limitation of incidental or consequential damages, so this exclusion or limitation may not apply to you.

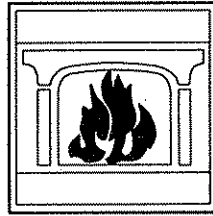
No implied warranties, including the implied warranties of merchantability and fitness for a particular product, shall remain in effect after the expiration of the warranties set forth above. Some states do not allow limitations on how long an implied warranty lasts, so this limitation may not apply to you.

VCI reserves the right to investigate any and all claims against this warranty and to decide upon the method of settlement. VCI is not responsible for any warranty work done without first obtaining VCI's written consent. No one has authority to add to or vary this limited warranty, or to create for VCI any other obligation or liability in connection with this ZC Fireplace.

The foregoing warranties give you specific legal rights and you may also have other rights which vary from state to state.

**INSTALLER:
PLEASE KEEP THIS MANUAL
WITH THE FIREPLACE
AFTER INSTALLATION.**

**IT CONTAINS IMPORTANT
OPERATION, MAINTENANCE AND
WARRANTY INFORMATION.**



VERMONT
CASTINGS

THE
MAJESTIC
PRODUCTS COMPANY

1000 East Market St. • Huntington, IN 46750-2579 • 219-356-8000